

Lever handles in zamak

5006 Murten

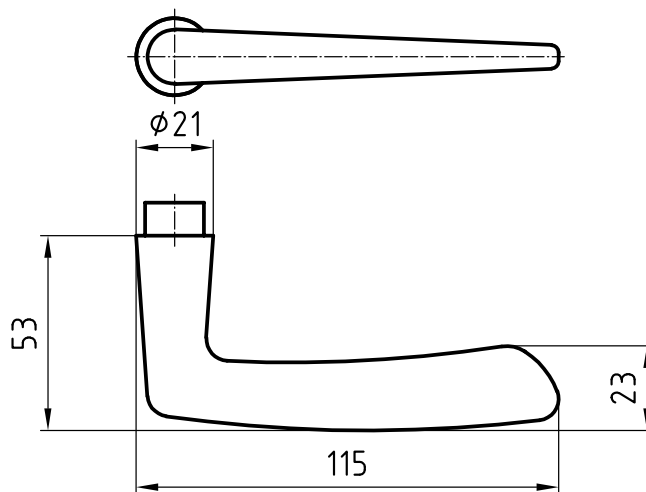
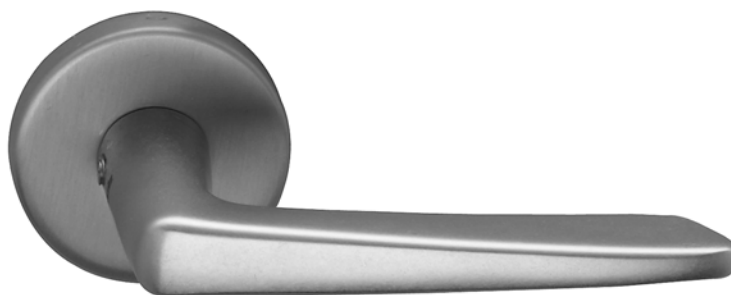
STANDARD

Lever handle 115 mm
Zamak mat nickeled ZNmn
HESO spindle 8 mm
Projection 53 mm
Guide 16 mm

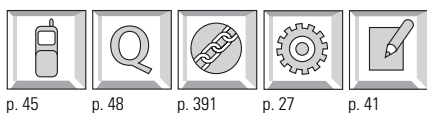
PRODUCT PROFILE

OPTIONS

Zamak polished and chromed ZNpc
Longer spindle



Reference



p. 45 p. 48 p. 391 p. 27 p. 41

Lever handles in zamak

5015 Davos

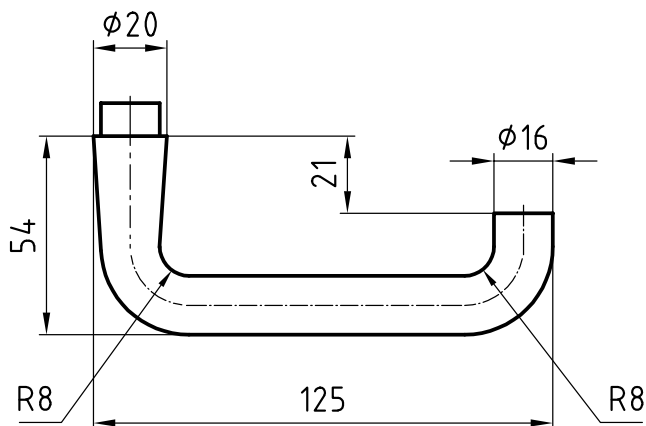
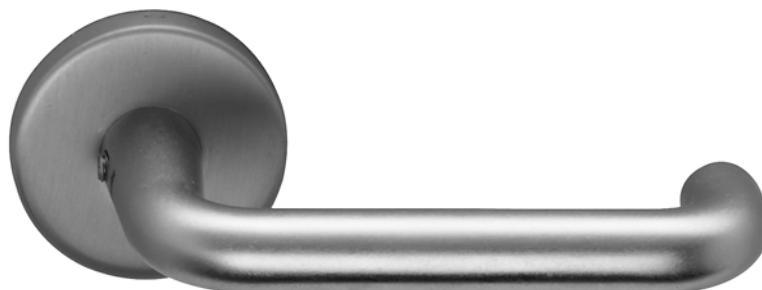
STANDARD

Lever handle 125 mm
 Zamak mat nickeled ZNmn
 HESO spindle 8 mm
 Projection 54 mm
 Guide 16 mm

PRODUCT PROFILE

OPTIONS

Zamak polished and chromed ZNpc
 RAL colours to order
 Longer spindle



Reference



5015/5616 CF
 Window handle
 p. 426



p. 45 p. 48 p. 391 p. 27 p. 41

Lever handles in zamak

5016 Chur

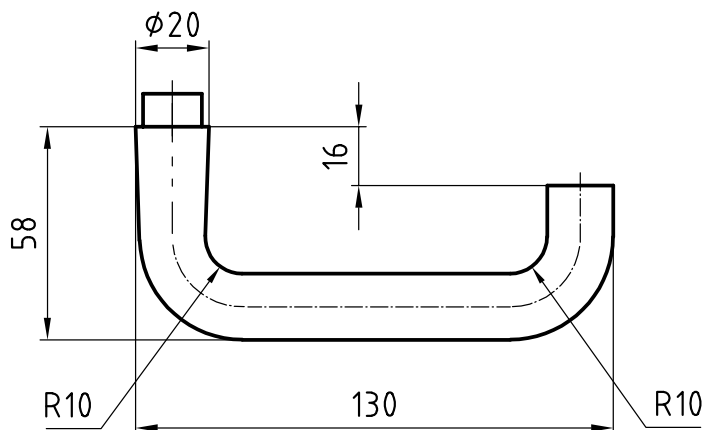
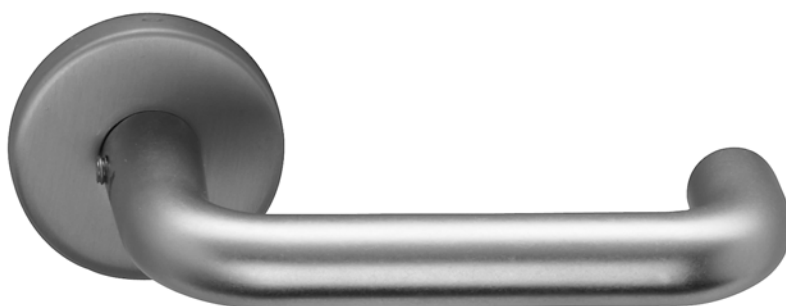
STANDARD

Lever handle 130 mm
Zamak mat nickered ZNmn
HESO spindle 8 mm
Projection 58 mm
Guide 16 mm

PRODUCT PROFILE

OPTIONS

Zamak polished and chromed ZNpc
Longer spindle



Reference



5016/5616 CF
Window handle
p. 427



p. 45



p. 48



p. 391



p. 27



p. 41

Lever handles in zamak

5019 Zermatt

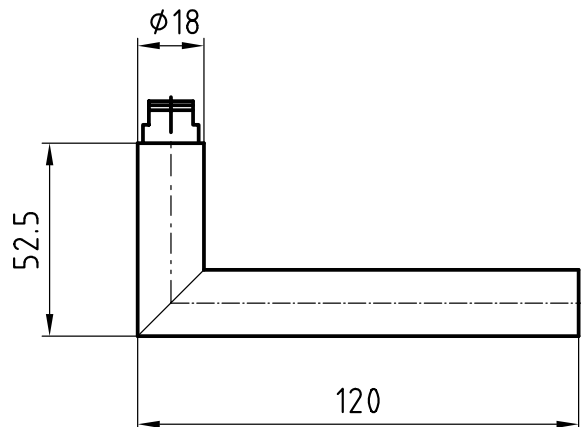
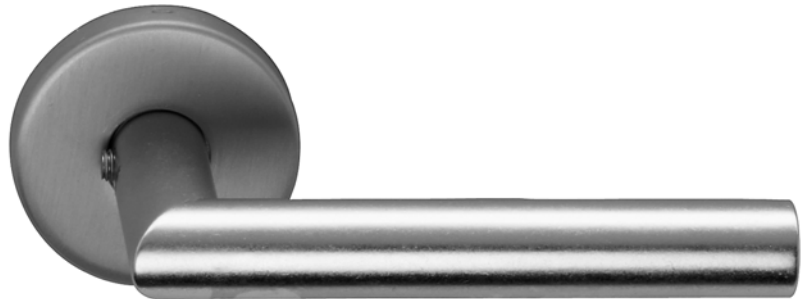
STANDARD

Lever handle 120 mm
Zamak mat nickeled ZNmn
HESO spindle 8 mm
Projection 52,5 mm
Guide 16 mm

PRODUCT PROFILE

OPTIONS

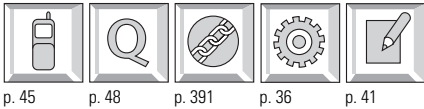
Zamak polished and chromed ZNpc
RAL colours to order
Longer spindle



Reference



5019/5616 CF
Window handle
p. 428



p. 45

p. 48

p. 391

p. 36

p. 41

Long escutcheons in zamak 5305

STANDARD

Long plate 198x34 mm
Zamak mat nickeled ZNmn
Nylon guide 16 mm

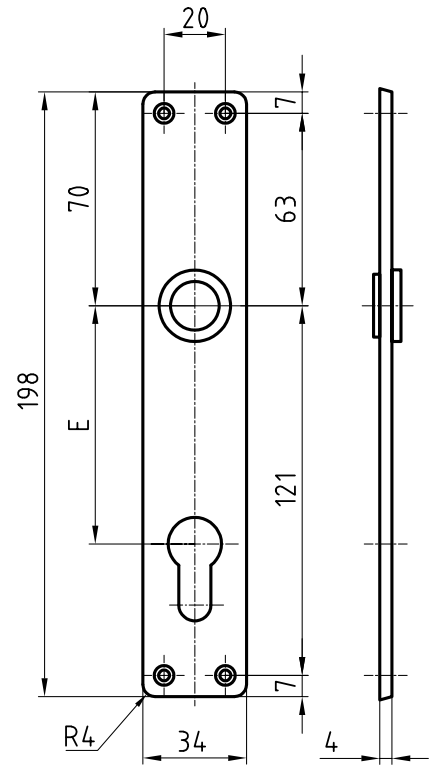
PRODUCT PROFILE

CUTOUT

5305.0 blank
5305.1 BB, standard keyhole
5305.2 RZ, round cylinder
5305.3 PZ, profile cylinder

OPTIONS

Zamak polished and chromed ZNpc
RAL colours to order



Reference



5305.4
Long escutcheons for bathrooms
in zamak
p. 423



p. 45

p. 48

p. 391

p. 36

p. 41

Long escutcheons for bathrooms in zamak

5305.4

STANDARD

198x34 mm

Plates for bathrooms

Zamak mat nickered ZNmn

Nylon guide 16 mm

Outside plate with indicator-emergency release

Inside plate with turn 5711

Spindle 7 mm or 8 mm

PRODUCT PROFILE

OPTIONS

Zamak polished and chromed ZNpc

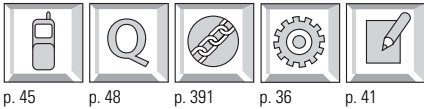
RAL colours to order



Reference



5305
Long escutcheons in zamak
p. 422



p. 45

p. 48

p. 391

p. 36

p. 41

Long escutcheons in zamak 5319

STANDARD

Long plate 212x35 mm
Zamak mat nickeled ZNmn
Nylon guide 16 mm

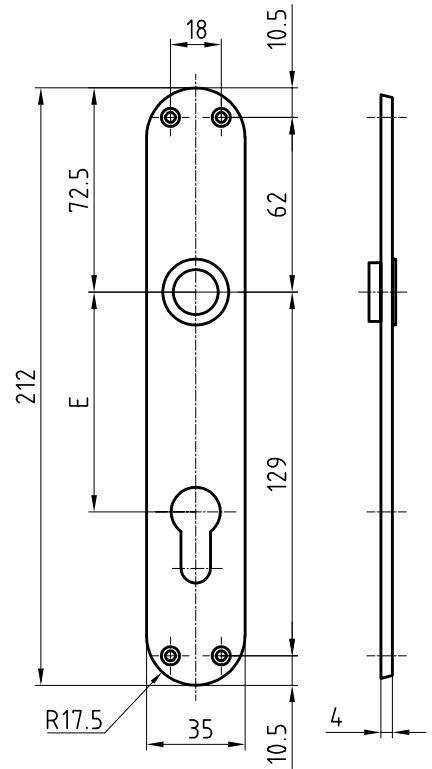
PRODUCT PROFILE

CUTOUT

5319.0 blank
5319.1 BB, standard keyhole
5319.2 RZ, round cylinder
5319.3 PZ, profile cylinder

OPTIONS

Zamak polished and chromed ZNpc
RAL colours to order



Reference



5319.4
Long escutcheons for bathrooms
in zamak
p. 425



p. 45

p. 48

p. 391

p. 36

p. 41

Long escutcheons for bathrooms in zamak

5319.4

STANDARD

212x35 mm

Plates for bathrooms

Zamak mat nickered ZNmn

Nylon guide 16 mm

Outside plate with indicator-emergency release

Inside plate with turn 5711

Spindle 7 mm or 8 mm

PRODUCT PROFILE

OPTIONS

Zamak polished and chromed ZNpc

RAL colours to order



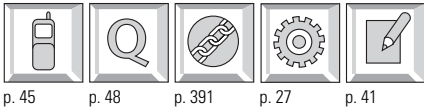
Reference



5319

Long escutcheons in zamak

p. 424



p. 45

p. 48

p. 391

p. 27

p. 41

Stainless steel lever handle 5074

STANDARD

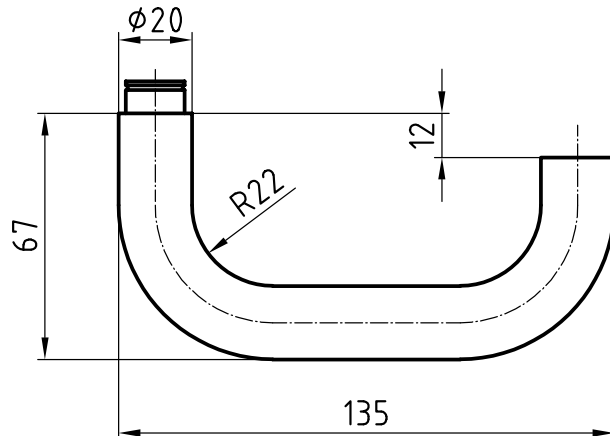
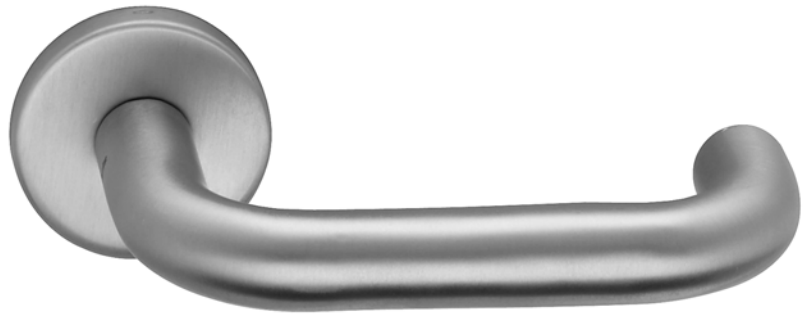
Lever handle 135 mm
Satin stainless steel CRNI mb
HESO spindle 8 x 84 mm
Projection 67 mm
Guide 16 mm

PRODUCT PROFILE

Glutz Commercial

OPTIONS

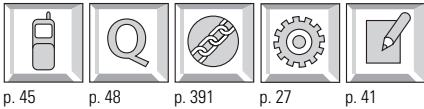
Fixed mobile on friction bearing GL/DF
Available also as window handle



Reference



5074/5626CF
Stainless steel window handle
p. 440



Stainless steel lever handle 5077

STANDARD

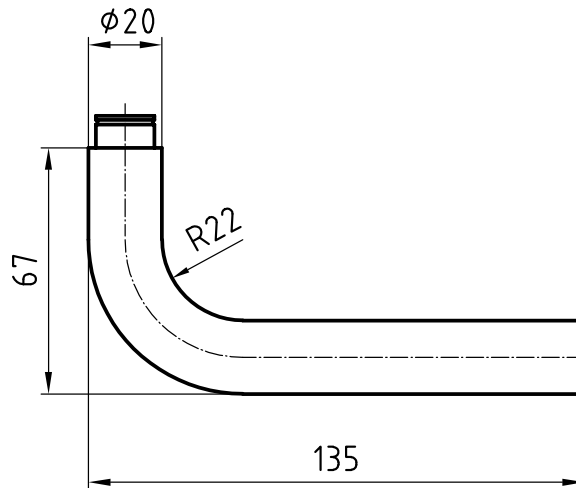
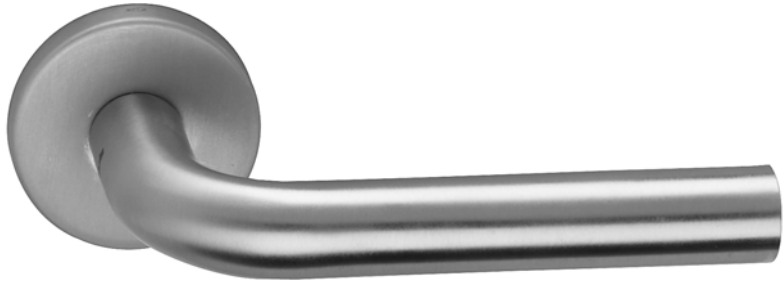
Lever handle 135 mm
Satin stainless steel CRNI mb
HESO spindle 8 x 84 mm
Projection 67 mm
Guide 16 mm

PRODUCT PROFILE

Glutz Commercial

OPTIONS

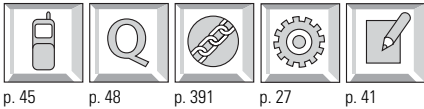
Fixed mobile on friction bearing GL/DF
Available also as window handle



Reference



5077/5626CF
Stainless steel window handle
p. 441



p. 45

p. 48

p. 391

p. 27

p. 41

Stainless steel lever handle 5078

STANDARD

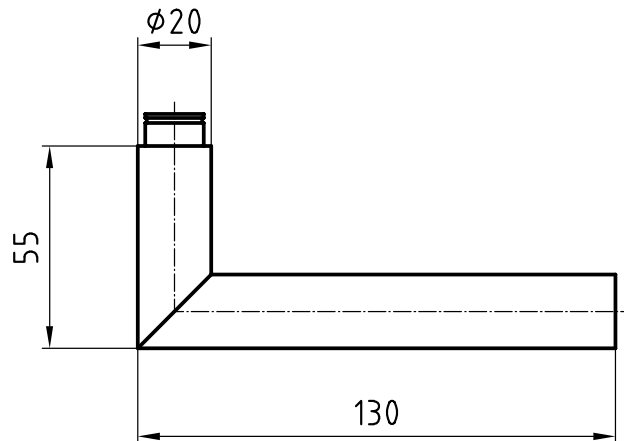
Lever handle 130 mm
Satin stainless steel CRNI mb
HESO spindle 8 x 84 mm
Projection 55 mm
Guide 16 mm

PRODUCT PROFILE

Glutz Commercial

OPTIONS

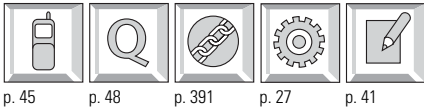
Fixed mobile on friction bearing GL/DF
Available also as window handle



Reference



5078/5626CF
Stainless steel window handle
p. 442



p. 45

p. 48

p. 391

p. 27

p. 41

Stainless steel roses to clips

5632C

STANDARD

Rose to clips ϕ 53 x 8 mm diam.

Satin stainless steel CRNI mb

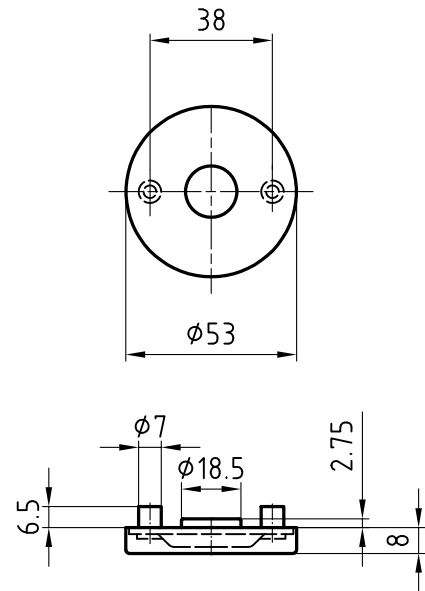
Guide 16 mm

base plate in plastic

Concealed bolt through fixing at 38 mm centres

PRODUCT PROFILE

Glutz Commercial



Reference

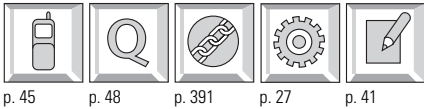


5332C

Stainless steel escutcheons to clips
p. 434

5332.4 C

Stainless steel roses to clips
p. 435



p. 45

p. 48

p. 391

p. 27

p. 41

Stainless steel escutcheons to clips 5332C

STANDARD

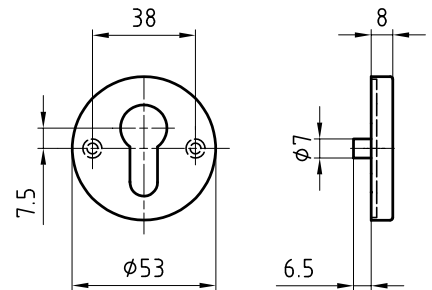
Escutcheon to clips \varnothing 53 x 8 mm diam.
Satin stainless steel CRNI mb
base plate in plastic
Concealed bolt through fixing at 38 mm centres

PRODUCT PROFILE

Glutz Commercial

CUTOUT

5332 C.0 blank
5332 C.1 BB standard keyhole
5332 C.2 RZ round cylinder
5332 C.3 PZ profile cylinder
5332 C.8 RPZ
5332 C.9 OVZ



Reference



5632C
Stainless steel roses to clips
p. 433



5332.4 C
Stainless steel roses to clips
p. 435



p. 45



p. 48



p. 391



p. 27



p. 41

Stainless steel roses to clips

5332.4 C

STANDARD

Roses for bathrooms \varnothing 53 x 8 mm

Satin stainless steel CRNI mb

base plate in plastic

Outside rose to clips

Outside plate with indicator-emergency release

Inside plate with turn 5711

Square spindle 6 mm, 7 mm or 8 mm

Fixing centres 38 mm

PRODUCT PROFILE

Glutz Commercial. For bathrooms.



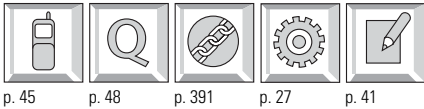
Reference



5332C
Stainless steel escutcheons to
clips
p. 434



5632C
Stainless steel roses to clips
p. 433



p. 45

p. 48

p. 391

p. 27

p. 41

Stainless steel short plate to clips 5338C

STANDARD

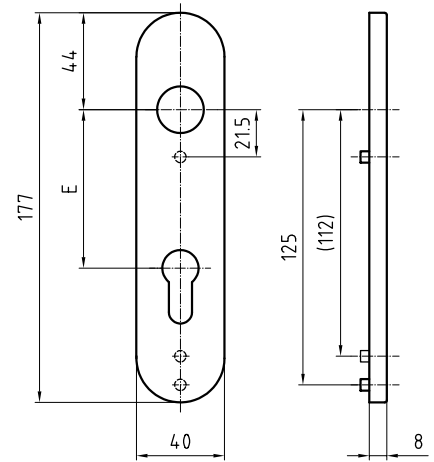
Radiussed short plate to clips 177x40x8 mm
Satin stainless steel CRNI mb
Guide 16 mm
base plate in plastic

PRODUCT PROFILE

Glutz Commercial

CUTOUT

5338.00C blind
5338.0C blank
5338.1C BB standad keyhole
5338.2C RZ round cylinder
5338.3C PZ profile cylinder
5338.8C RPZ
5338.9C OVZ



Reference



5338.4 C
Stainless steel short plates to
clips
p. 437



p. 45

p. 48

p. 391

p. 27

p. 41

Stainless steel short plates to clips

5338.4 C

STANDARD

Short plates for bathrooms 177x40x8 mm

Satin stainless steel CRNI mb

Guide 16 mm

Plate to clips

base plate in plastic

Outside plate with indicator-emergency release

Inside plate with turn 5711

Square spindle 6 mm, 7 mm or 8 mm

PRODUCT PROFILE

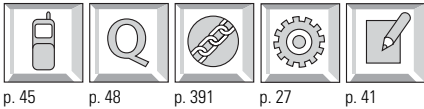
Glutz Commercial. For bathrooms.



Reference



5338C
Stainless steel short plate to clips
p. 436



p. 45

p. 48

p. 391

p. 27

p. 41

Stainless steel short plate to clips 5339C

STANDARD

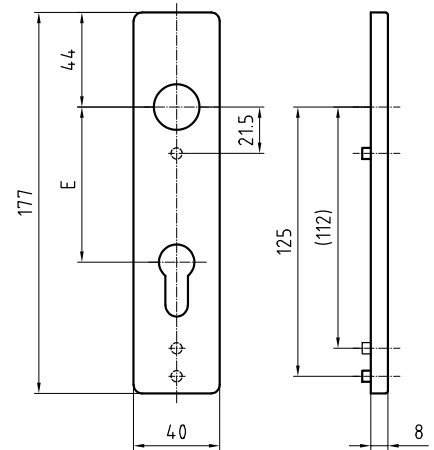
Rectangular short plate to clips 177x40x8 mm
Satin stainless steel CRNI mb
Guide 16 mm
base plate in plastic

PRODUCT PROFILE

Glutz Commercial

CUTOUT

5339.00C blind
5339 C.0 blank
5339.1C BB standard keyhole
5339.2C RZ round cylinder
5339.3C PZ profile cylinder
5339.8C RPZ
5339.9C OVZ



Reference



5349.4 C
Stainless steel short plates to
clips
p. 133



p. 45 p. 48 p. 391 p. 27 p. 41

Stainless steel short plates to clips

5339.4 C

STANDARD

Short plates for bathrooms 177x40x8 mm
Satin stainless steel CRNI mb
Guide 16 mm
Plate to clips
base plate in plastic
Outside plate with indicator-emergency release
Inside plate with turn 5711
Square spindle 6 mm, 7 mm or 8 mm

PRODUCT PROFILE

Glutz Commercial. For bathrooms.



Reference



5339C
Stainless steel short plate to clips
p. 438