



**G008**

**Glutz Glass Fitting**

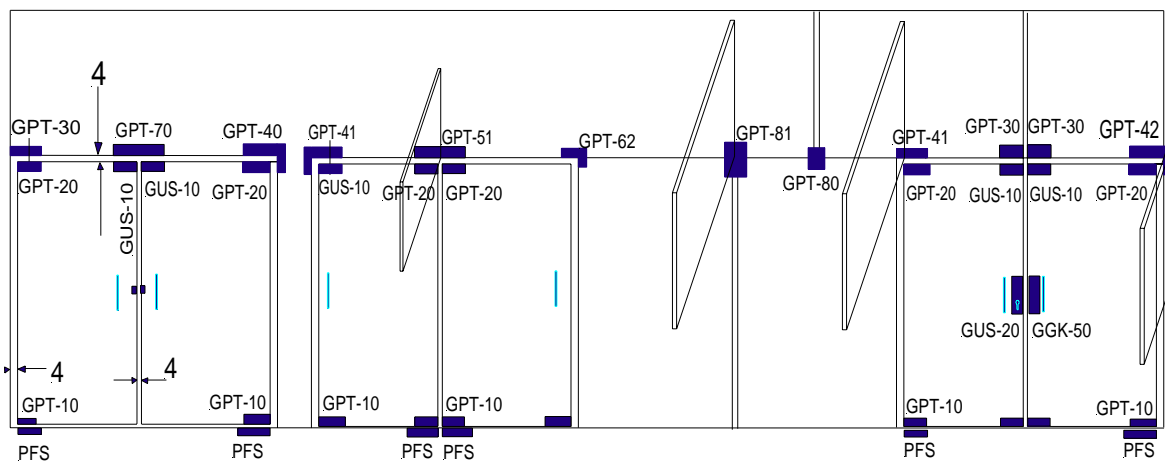
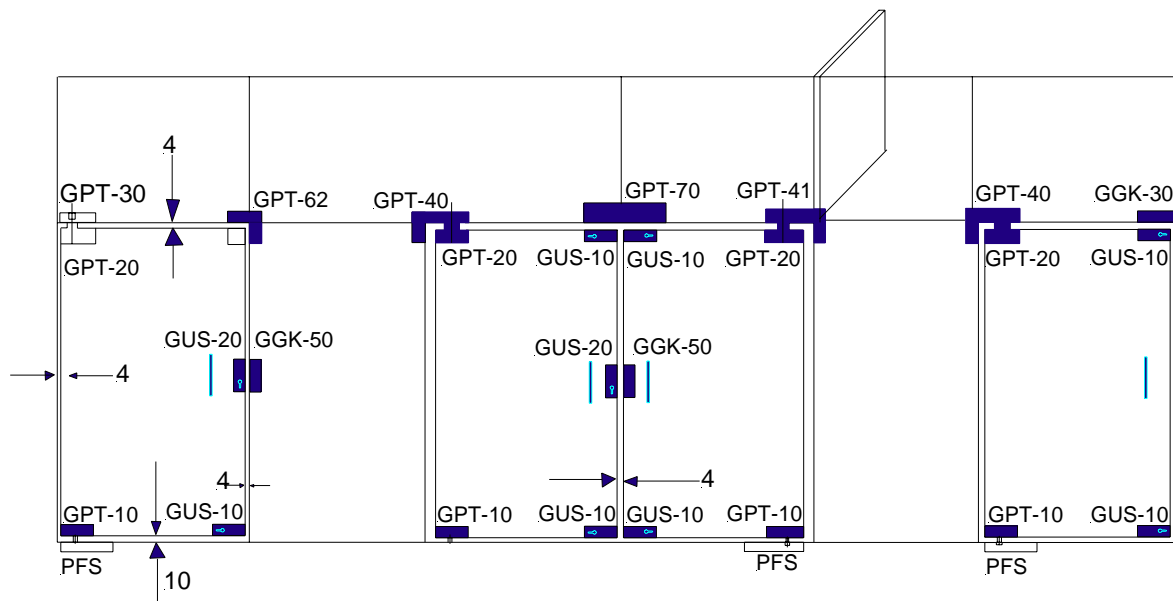
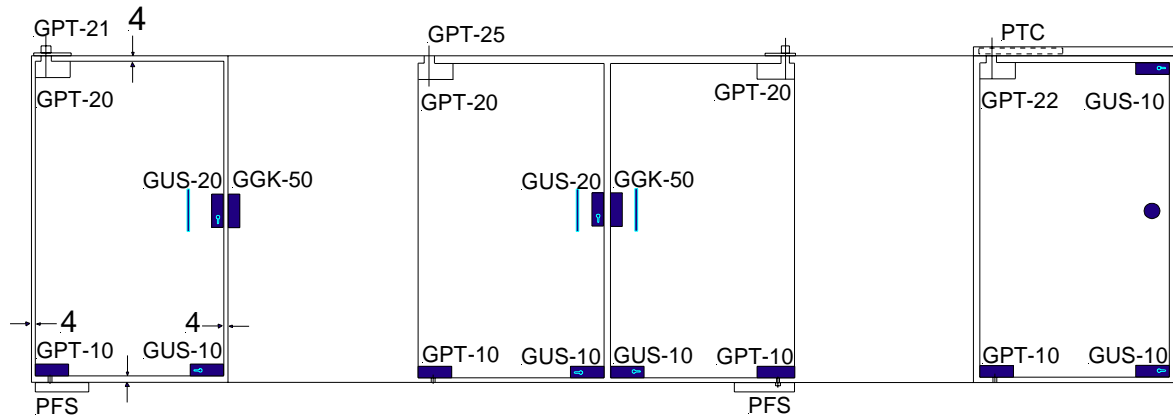
**Glutz**

***Typical toughened glass assemblies  
with fittings and locks***



- ***Easy Glass preparation combined  
with secured fixing***

Door assembly deductions



# Glass Fitting

Complete for glass thickness

## GPT-10-C : Bottom Patch Fitting

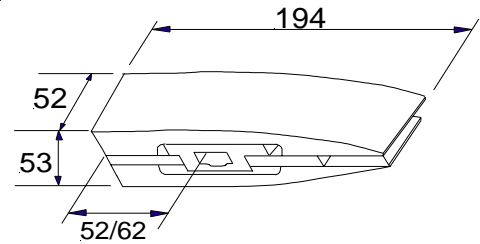
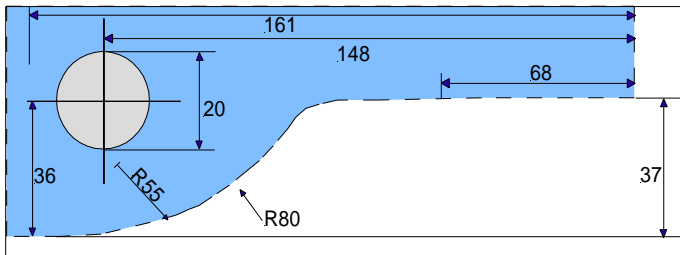
Bottom patch to suit most floor springs or free Pivots

- Actual Size 164mm x 52mm
- Pivot points at 55mm or 65mm
- To suit 10, 12 or 15mm glass



### FINISHES AVAILABLE:

- Polished stainless steel---PSS
- Satin stainless steel -----SSS
- Polished brass -----PB
- Natural anodised -----NA
- Powder-coated-----PC



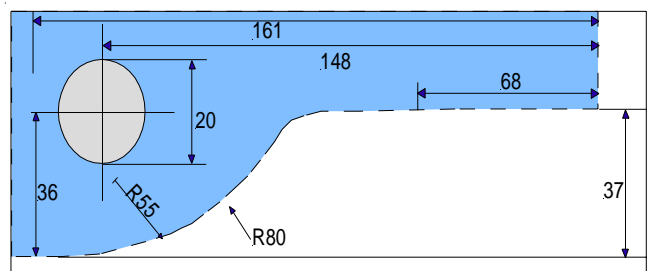
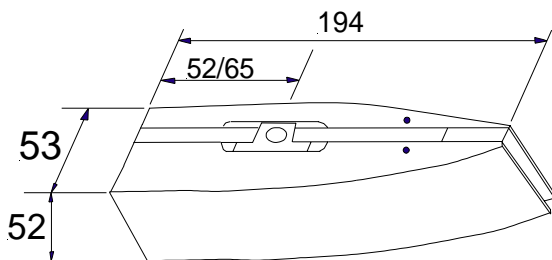
## GPT-20-C : Top Patch Fitting

Top patch to suit most 15 mm, diameter top pivots.

- Actual Size 164mm x 52mm
- Pivot points at 55mm or 65mm
- To suit 10, 12 or 15mm glass

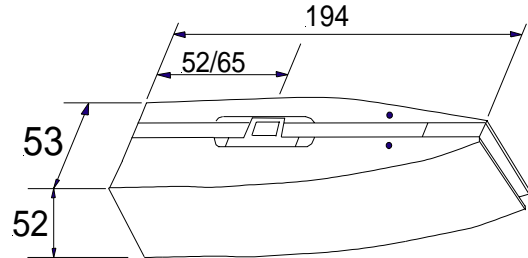
### FINISHES AVAILABLE :

- Polished stainless steel---PSS
- Satin stainless steel -----SSS
- Polished brass -----PB
- Natural anodised -----NA
- Powder-coated-----PC



# Glass Fitting

Complete for glass thickness



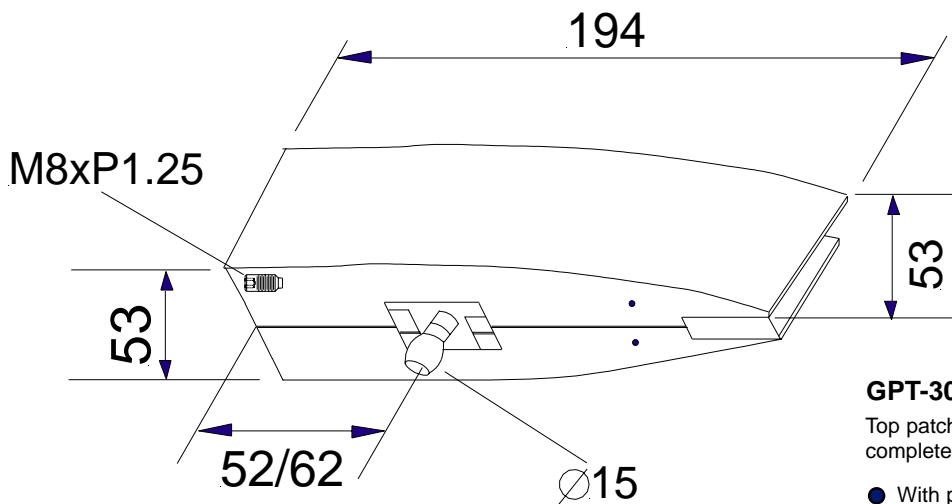
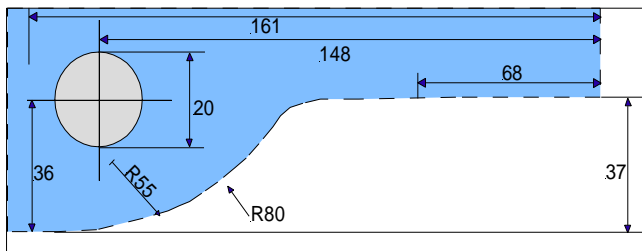
### GPT-22-C : Over-Fitting with Pivot

Top patch to suit most concealed overhead closers.

- Actual Size 164mm x 52mm
- Pivot points at 65mm
- To suit 10, 12 or 15mm glass

#### FINISHES AVAILABLE :

- Polished stainless steel---PSS
- Satin stainless steel -----SSS
- Polished brass -----PB
- Natural anodised -----NA
- Powder-coated-----PC



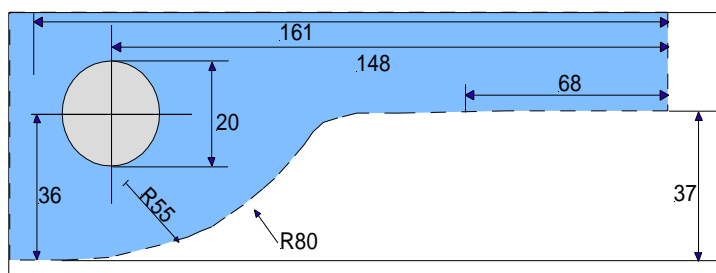
### GPT-30-C Top Patch

Top patch to suit highlite (above door) complete with mounting flange plate.

- With pivot (DPT 30003 - 1)
- Actual Size 164mm x 52mm
- Pivot points at 55mm or 65mm
- To suit 10, 12 or 15mm glass

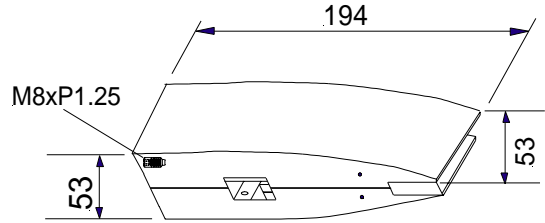
#### FINISHES AVAILABLE :

- Polished stainless steel---PSS
- Satin stainless steel -----SSS
- Polished brass -----PB
- Natural anodised -----NA
- Powder-coated-----PC



# Glass Fitting

Complete for glass thickness



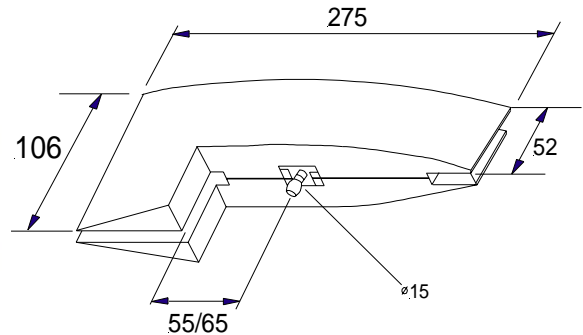
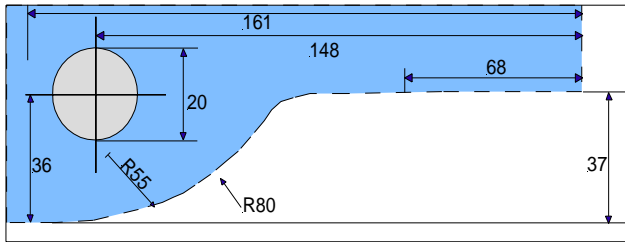
### GPT-30-CS Top Patch

Top patch to suit highlite (above door) complete with mounting flange plate.

- With pivot (DPT 30003 - 1)
- Actual Size 164mm x 52mm
- Pivot points at 55mm or 65mm
- To suit 10, 12 or 15mm glass

#### FINISHES AVAILABLE :

- Polished stainless steel---PSS
- Satin stainless steel -----SSS
- Polished brass -----PB
- Natural anodised -----NA
- Powder-coated-----PC



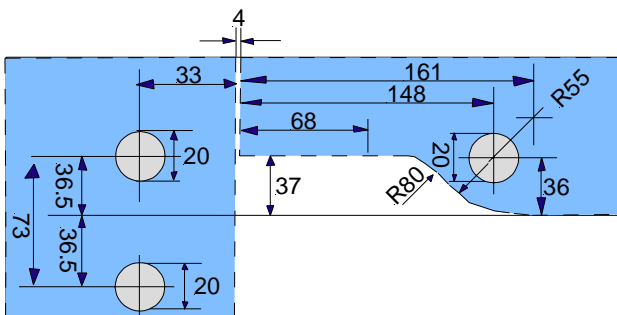
### GPT-40-C Top Patch

Top patch to suit highlite and sidelite.

- Actual Size 218mm x 52mm
- Pivot points at 55mm or 65mm
- To suit 10, 12 or 15mm glass

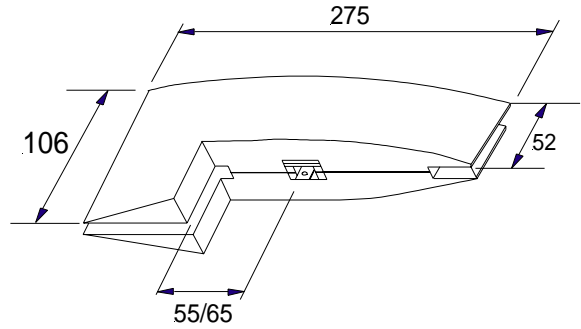
#### FINISHES AVAILABLE :

- Polished stainless steel---PSS
- Satin stainless steel -----SSS
- Polished brass -----PB
- Natural anodised -----NA
- Powder-coated-----PC



# Glass Fitting

Complete for glass thickness



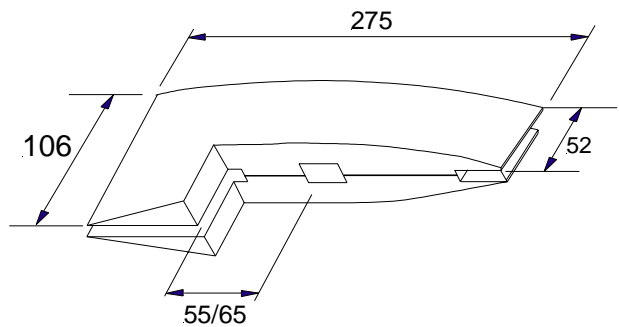
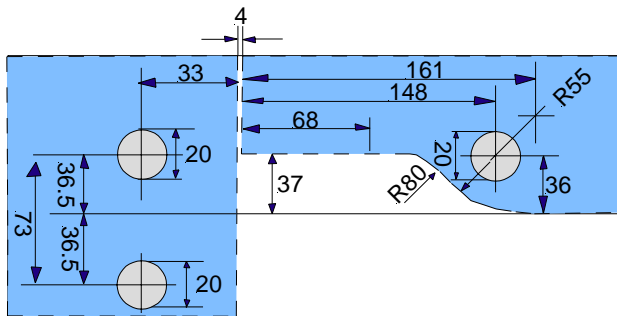
### GPT-40-CS Top Patch

Top patch to suit highlite and sidelite.

- Actual Size 218mm x 52mm
- Pivot points at 55mm or 65mm
- To suit 10, 12 or 15mm glass

#### FINISHES AVAILABLE :

- Polished stainless steel---PSS
- Satin stainless steel -----SSS
- Polished brass -----PB
- Natural anodised -----NA
- Powder-coated-----PC

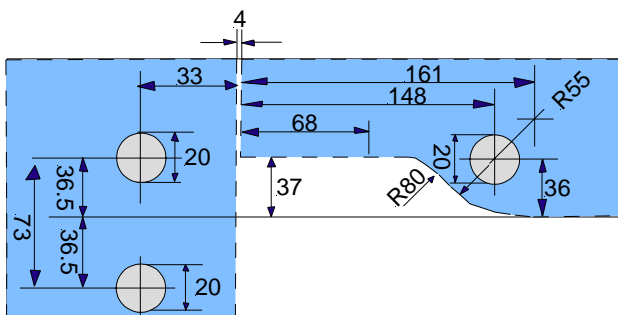


### GPT-850-C Corner overpanel strike

Conner overpanel lock box : to suit conner locks.

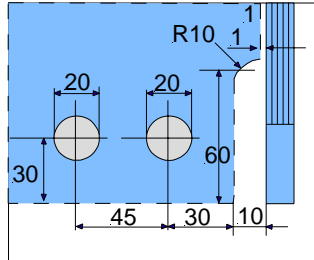
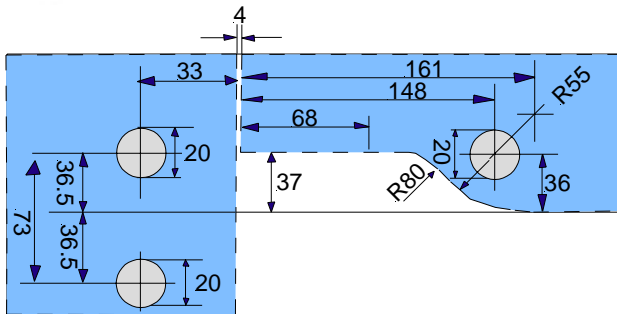
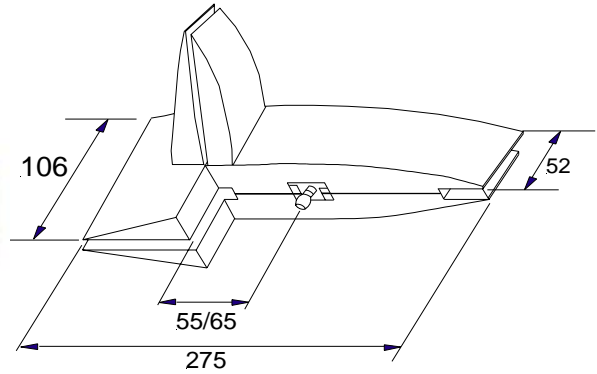
#### FINISHES AVAILABLE :

- Polished stainless steel---PSS
- Satin stainless steel -----SSS
- Polished brass -----PB
- Natural anodised -----NA
- Powder-coated-----PC



## Glass Fitting

Complete for glass thickness



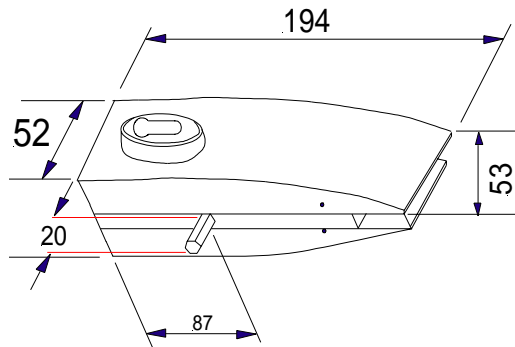
### GPT-41-C

Top patch to suit highlite and sidelite with fin assembly.

- With pivot (GPT30003-1)
- With stop (GPT30003-2)
- Actual Size 218mm x 52mm x 111 mm (return)
- Pivot points at 55mm or 65mm
- To suit 10, 12 or 15mm glass
- Specify left or right

### FINISHES AVAILABLE :

- Polished stainless steel---PSS
- Satin stainless steel -----SSS
- Polished brass -----PB
- Natural anodised -----NA
- Powder-coated-----PC



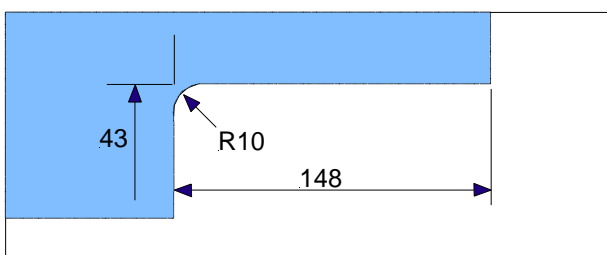
### GPT-800-C

Top or bottom corner patch lock complete with single throw lock

- Specify : key/key or key/ turn
- Actual size 164mm x 52mm
- Bolt Projection 20mm (Square)
- To suit 10, 12mm glass

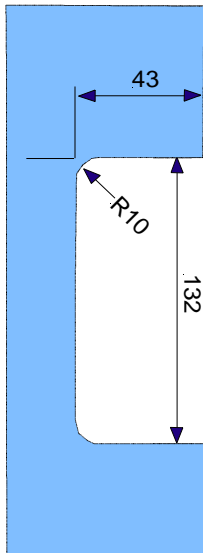
### FINISHES AVAILABLE :

- Polished stainless steel---PSS
- Satin stainless steel -----SSS
- Polished brass -----PB
- Natural anodised -----NA
- Powder-coated-----PC



# Glass Fitting

Complete for glass thickness



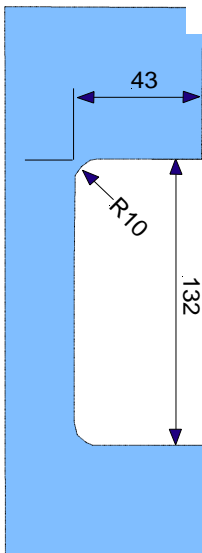
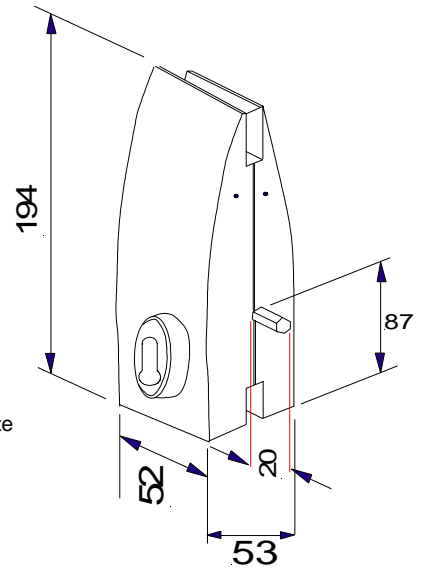
### GPT-810-C

Top or bottom corner patch lock complete with single throw lock

- Specify : key/key or key/turn
- Actual size 164mm x 52mm
- Bolt Projection 20mm (Round)
- To suit 10, 12mm glass

#### FINISHES AVAILABLE :

- Polished stainless steel---PSS
- Satin stainless steel -----SSS
- Polished brass -----PB
- Natural anodised -----NA
- Powder-coated-----PC



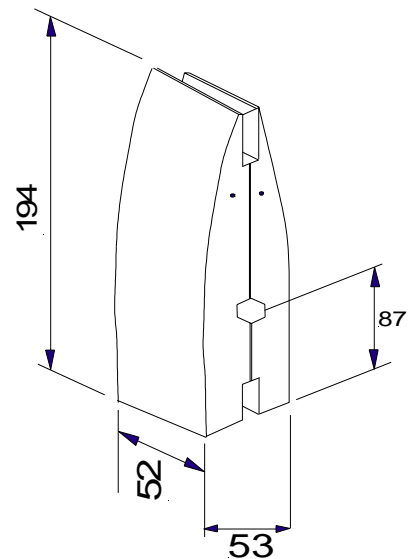
### GPT-820-C

Side lock keeper to suit center lock

- Actual size 164mm x 52mm
- To suit 10, 12mm glass

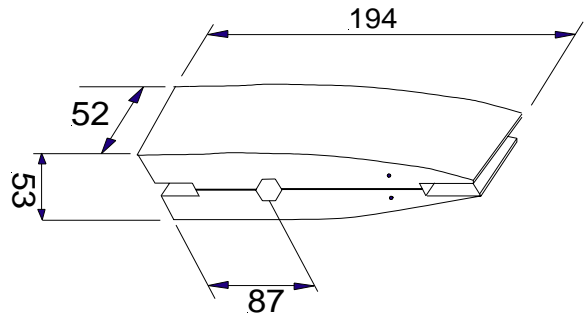
#### FINISHES AVAILABLE :

- Polished stainless steel---PSS
- Satin stainless steel -----SSS
- Polished brass -----PB
- Natural anodised -----NA
- Powder-coated-----PC



# Glass Fitting

Complete for glass thickness



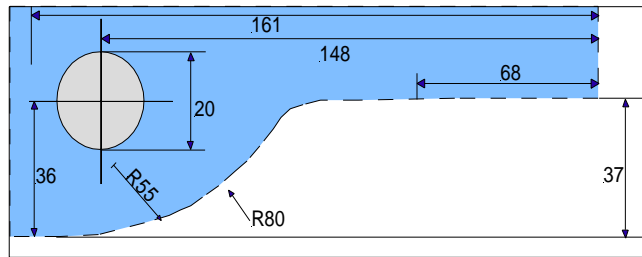
## GPT-830-C Single overpanel strike

Top patch lock keeper to suit.

- Actual size 164mm x 52mm
- To suit 10, 12mm glass

### FINISHES AVAILABLE :

- Polished stainless steel---PSS
- Satin stainless steel -----SSS
- Polished brass -----PB
- Natural anodised -----NA
- Powder-coated-----PC



# Glass Fitting

Complete for glass thickness

## GPT-10 : Bottom Patch Fitting

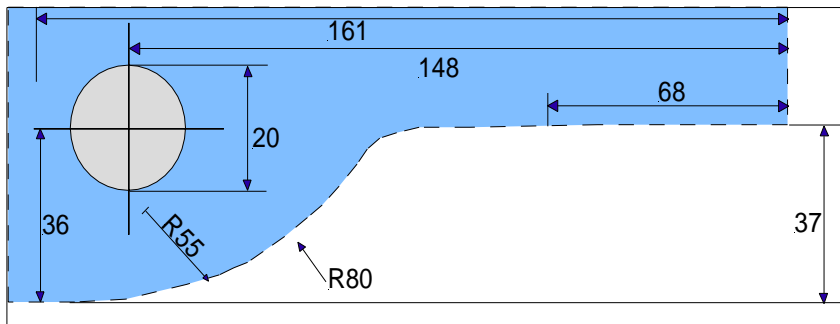
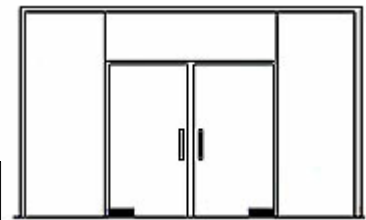
Bottom patch to suit most floor springs or free Pivots

- Actual Size 164mm x 52mm
- Pivot points at 55mm or 65mm
- To suit 10, 12 or 15mm glass



### FINISHES AVAILABLE:

- Polished stainless steel---PSS
- Satin stainless steel -----SSS
- Polished brass -----PB
- Natural anodised -----NA
- Powder-coated-----PC



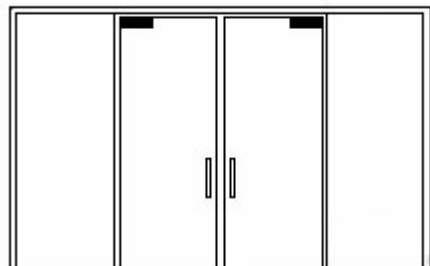
## GPT-20 : Top Patch Fitting

Top patch to suit most 15 mm, diameter top pivots.

- Actual Size 164mm x 52mm
- Pivot points at 55mm or 65mm
- To suit 10, 12 or 15mm glass

### FINISHES AVAILABLE :

- Polished stainless steel---PSS
- Satin stainless steel -----SSS
- Polished brass -----PB
- Natural anodised -----NA
- Powder-coated-----PC



# Glass Fitting

Complete for glass thickness



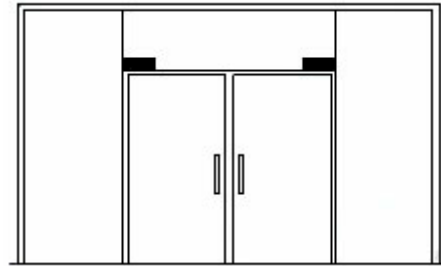
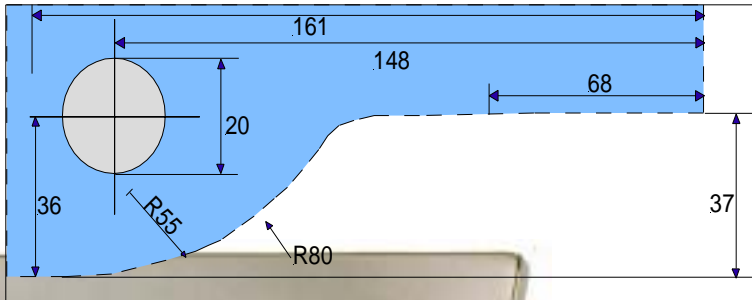
## GPT-22 : Over-Fitting with Pivot

Top patch to suit most concealed overhead closers.

- Actual Size 164mm x 52mm
- Pivot points at 65mm
- To suit 10, 12 or 15mm glass

### FINISHES AVAILABLE :

- Polished stainless steel---PSS
- Satin stainless steel -----SSS
- Polished brass -----PB
- Natural anodised -----NA
- Powder-coated-----PC



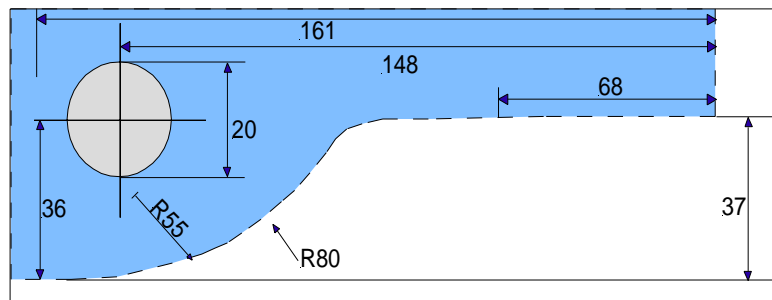
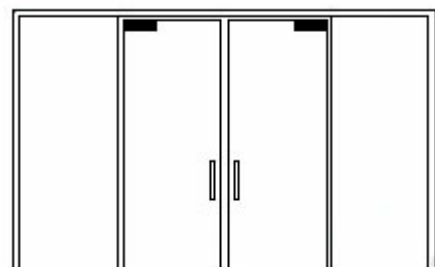
## GPT-30 Top Patch

Top patch to suit highlite (above door) complete with mounting flange plate.

- With pivot (DPT 30003 - 1)
- Actual Size 164mm x 52mm
- Pivot points at 55mm or 65mm
- To suit 10, 12 or 15mm glass

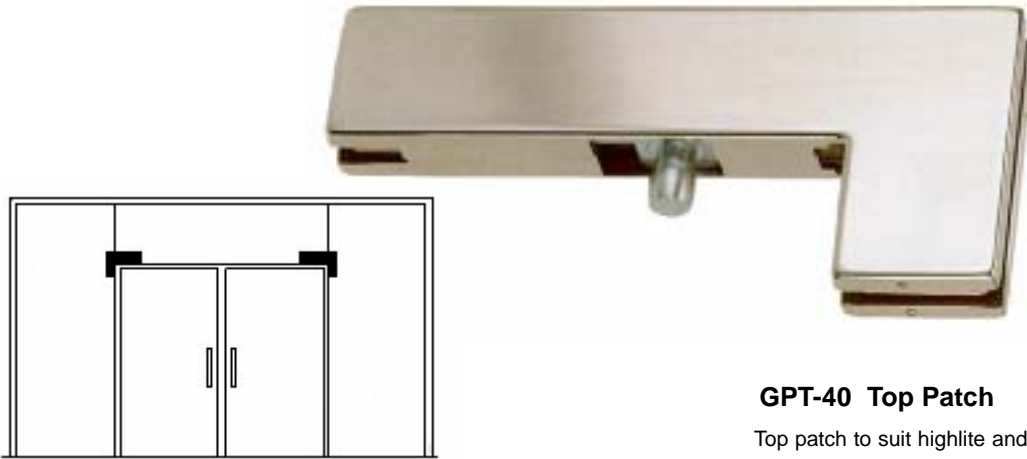
### FINISHES AVAILABLE :

- Polished stainless steel---PSS
- Satin stainless steel -----SSS
- Polished brass -----PB
- Natural anodised -----NA
- Powder-coated-----PC



## Glass Fitting

Complete for glass thickness



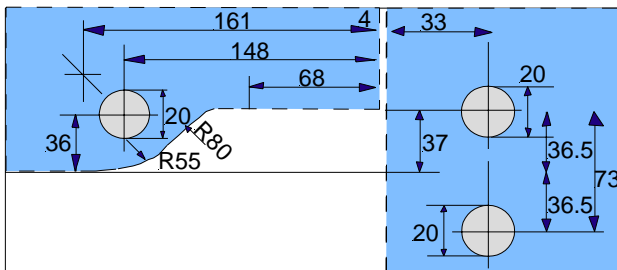
### GPT-40 Top Patch

Top patch to suit highlite and sidelite.

- Actual Size 218mm x 52mm
- Pivot points at 55mm or 65mm
- To suit 10, 12 or 15mm glass

#### FINISHES AVAILABLE :

- Polished stainless steel---PSS
- Satin stainless steel -----SSS
- Polished brass -----PB
- Natural anodised -----NA
- Powder-coated-----PC



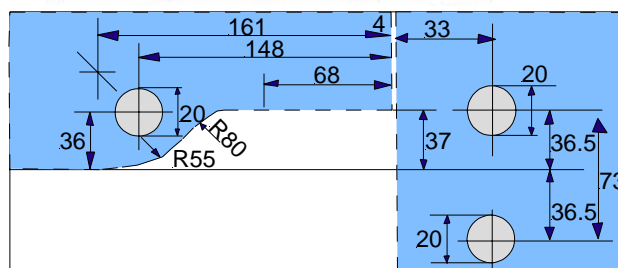
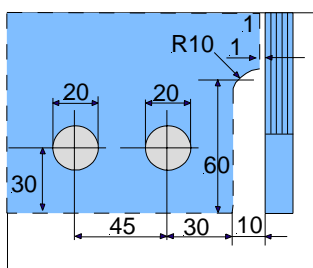
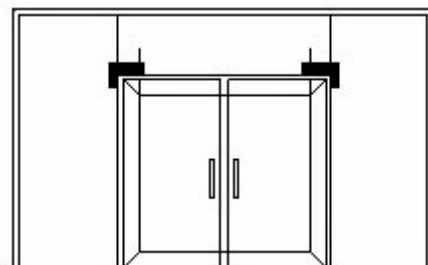
### GPT-41

Top patch to suit highlite and sidelite with fin assembly.

- With pivot (GPT30003-1)
- With stop (GPT30003-2)
- Actual Size 218mm x 52mm x 111 mm (return)
- Pivot points at 55mm or 65mm
- To suit 10, 12 or 15mm glass
- Specify left or right

#### FINISHES AVAILABLE :

- Polished stainless steel---PSS
- Satin stainless steel -----SSS
- Polished brass -----PB
- Natural anodised -----NA
- Powder-coated-----PC



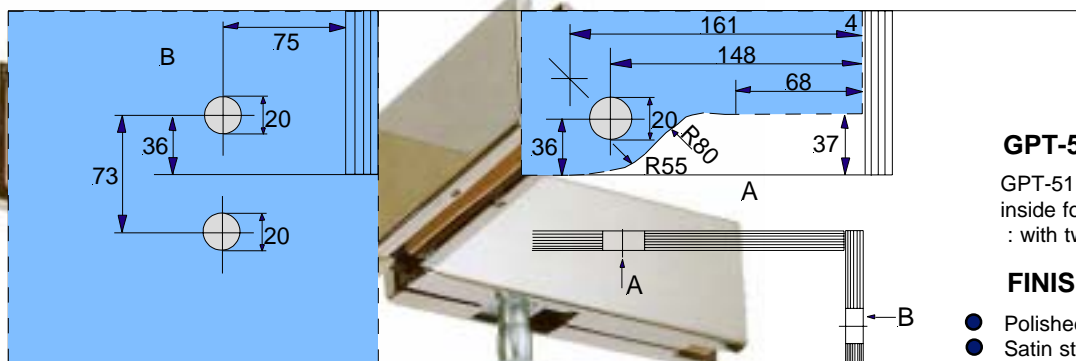
# Glass Fitting

## GPT-42

GPT-42 Patch for overpanel with angle 90°  
connector inside : with pivot diam. 15mm  
Right hand connector or Left hand connector

### FINISHES AVAILABLE :

- Polished stainless steel---PSS
- Satin stainless steel -----SSS
- Polished brass -----PB
- Natural anodised -----NA
- Powder-coated-----PC

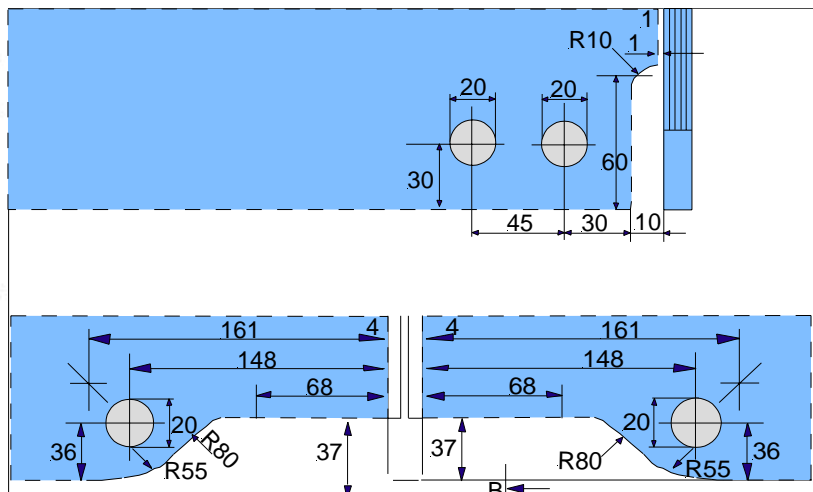
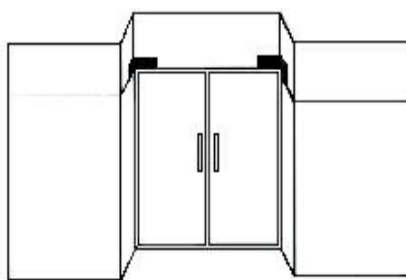


## GPT-51

GPT-51 Patch for overpanel with fin fitting  
inside for back to backdoors  
: with two pivots diam.15mm.

### FINISHES AVAILABLE :

- Polished stainless steel---PSS
- Satin stainless steel -----SSS
- Polished brass -----PB
- Natural anodised -----NA
- Powder-coated-----PC



# Glass Fitting



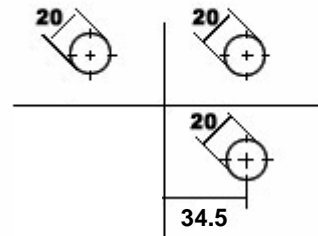
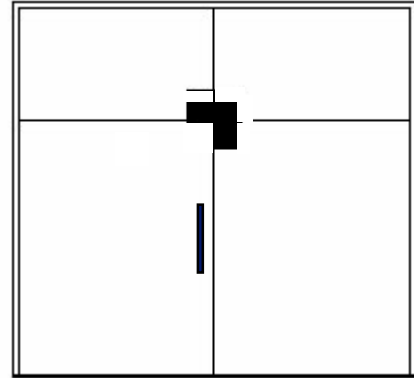
## GPT-61

Top patch to suit hightlite and sidelite with stop.

- Actual size 106 mm x 106 mm
- To suit 10, 12 or 15mm glass

### FINISHES AVAILABLE :

- Polished stainless steel---PSS
- Satin stainless steel -----SSS
- Polished brass -----PB
- Natural anodised -----NA
- Powder-coated-----PC



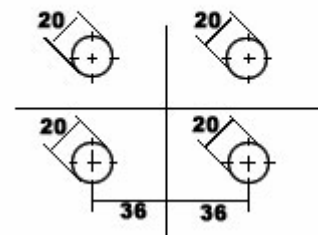
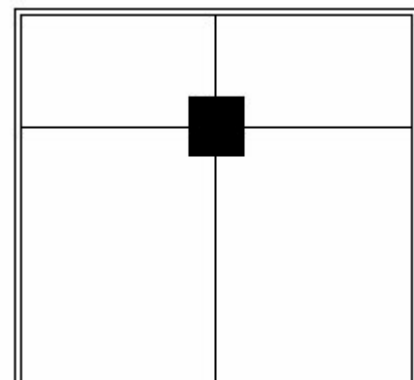
## GPT-62

Top patch for connecting 2 or 4 panels of glass.

- Actual size 106 mm x 106 mm
- To suit 10, 12 or 15mm glass

### FINISHES AVAILABLE :

- Polished stainless steel---PSS
- Satin stainless steel -----SSS
- Polished brass -----PB
- Natural anodised -----NA
- Powder-coated-----PC



## Glass Fitting

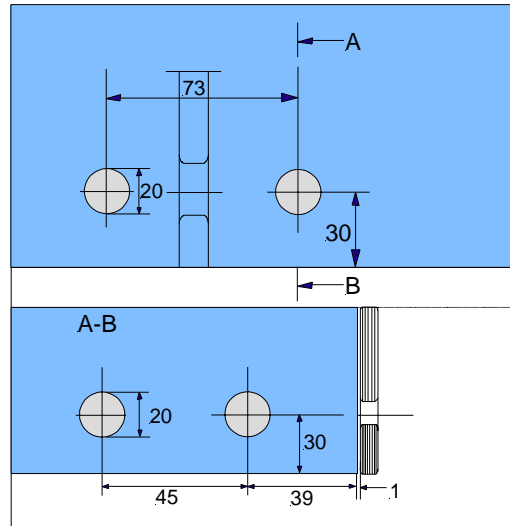


### GPT-63

GPT-630 Overpanel connector :  
For overpanel and fitting connet.

#### FINISHES AVAILABLE :

- Polished stainless steel---PSS
- Satin stainless steel -----SSS
- Polished brass -----PB
- Natural anodised -----NA
- Powder-coated-----PC

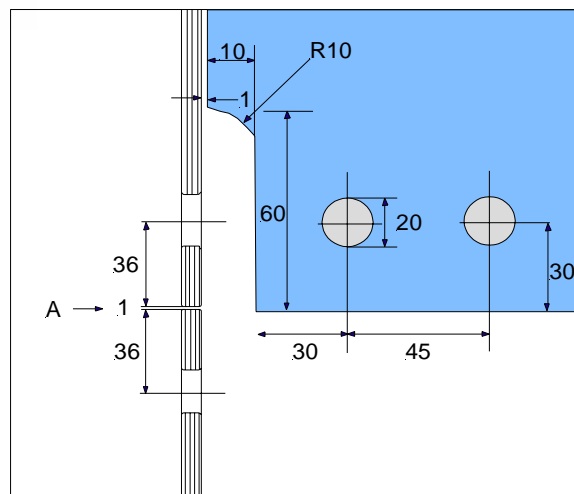


### GPT-64

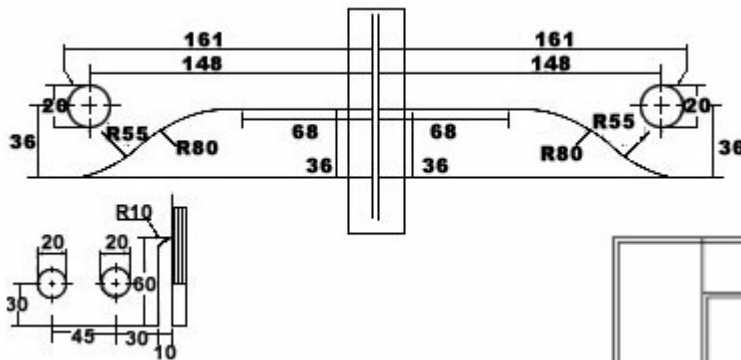
GPT-640 connector : For base glass  
overpanel and fin fitting connect.

#### FINISHES AVAILABLE :

- Polished stainless steel---PSS
- Satin stainless steel -----SSS
- Polished brass -----PB
- Natural anodised -----NA
- Powder-coated-----PC



# Patch Locks



### GPT-84

GPT-84 Double overpanel lock box: to suit GPT-80 Corner locks.

#### FINISHES AVAILABLE :

- Polished stainless steel---PSS
- Satin stainless steel -----SSS
- Polished brass -----PB
- Natural anodised -----NA
- Powder-coated-----PC

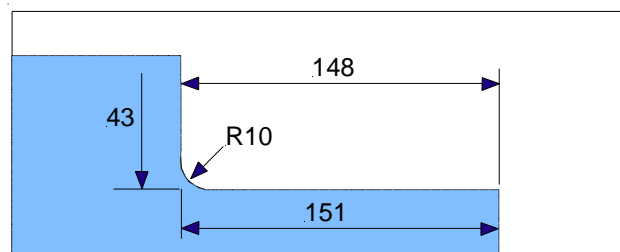
### GUS-10

Top or bottom corner patch lock complete with single throw lock

- Specify : key/key or key/ turn
- Actual size 164mm x 52mm
- Bolt Projection 20mm (Square)
- To suit 10, 12mm glass

#### FINISHES AVAILABLE :

- Polished stainless steel---PSS
- Satin stainless steel -----SSS
- Polished brass -----PB
- Natural anodised -----NA
- Powder-coated-----PC



# Patch Locks



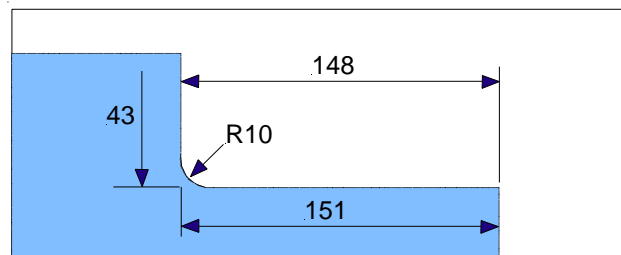
## GUS-10A

GUS-10A Top or bottom corner patch lock complete with single throw lock

- Specify : key/key or key/turn
- Actual size 164mm x 52mm
- Bolt Projection 20mm (Round)
- To suit 10, 12mm glass

### FINISHES AVAILABLE :

- Polished stainless steel---PSS
- Satin stainless steel -----SSS
- Polished brass -----PB
- Natural anodised -----NA
- Powder-coated-----PC



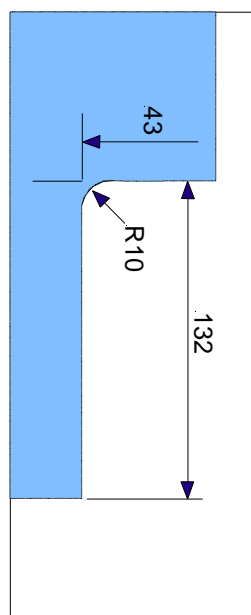
## GUS-20

GUS-20 Center patch lock complete with single throw lock.

- Specify : key/key or key/turn
- Actual size 164mm x 52mm
- Bolt Projection 20mm (Square)
- To suit 10, 12mm glass

### FINISHES AVAILABLE :

- Polished stainless steel---PSS
- Satin stainless steel -----SSS
- Polished brass -----PB
- Natural anodised -----NA
- Powder-coated-----PC





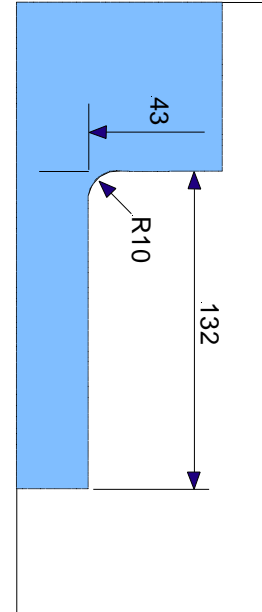
**GGK-50**

Side lock keeper to suit GUS-20 center lock

- Actual size 164mm x 52mm
- To suit 10, 12mm glass

**FINISHES AVAILABLE :**

- Polished stainless steel---PSS
- Satin stainless steel -----SSS
- Polished brass -----PB
- Natural anodised -----NA
- Powder-coated-----PC



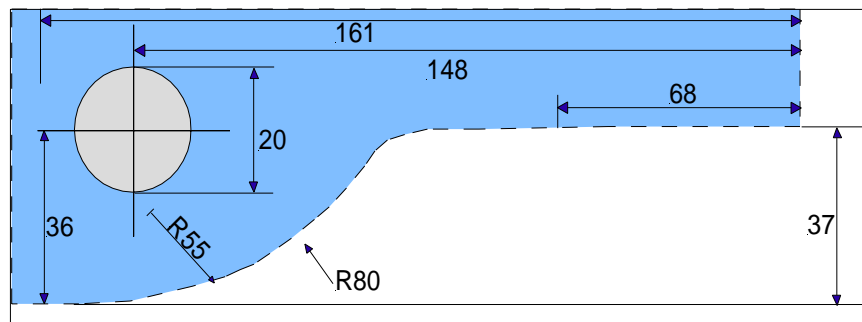
**GGK-30 Single overpanel strike**

Top patch lock keeper to suit GUS-10.

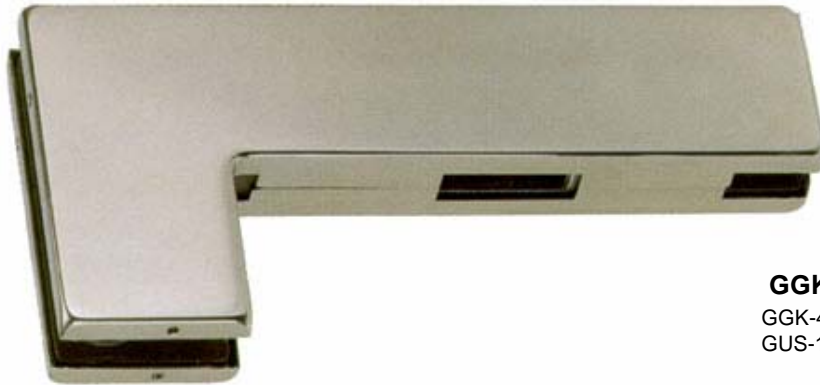
- Actual size 164mm x 52mm
- To suit 10, 12mm glass

**FINISHES AVAILABLE :**

- Polished stainless steel---PSS
- Satin stainless steel -----SSS
- Polished brass -----PB
- Natural anodised -----NA
- Powder-coated-----PC



# Patch Locks

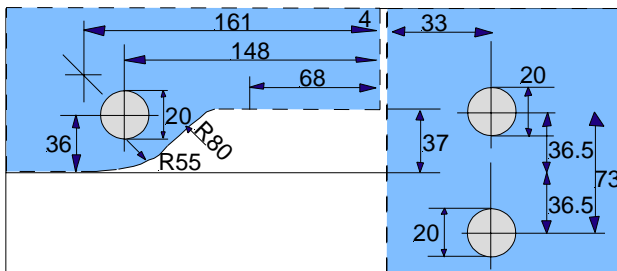


### GGK-40 Corner overpanel strike

GGK-40 Corner overpanel lock box : to suit GUS-10 corner locks.

#### FINISHES AVAILABLE :

- Polished stainless steel---PSS
- Satin stainless steel -----SSS
- Polished brass -----PB
- Natural anodised -----NA
- Powder-coated-----PC

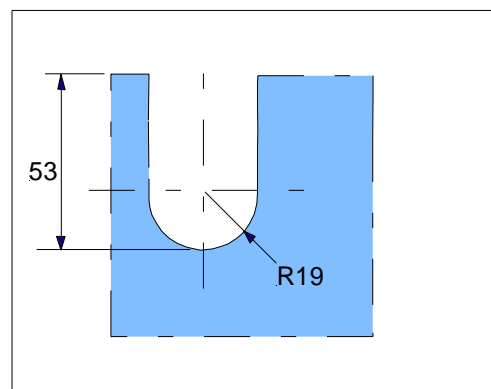


### GPT-860

Lock bolt with small knob.

#### FINISHES AVAILABLE :

- Polished stainless steel---PSS
- Satin stainless steel -----SSS
- Polished brass -----PB
- Natural anodised -----NA
- Powder-coated-----PC



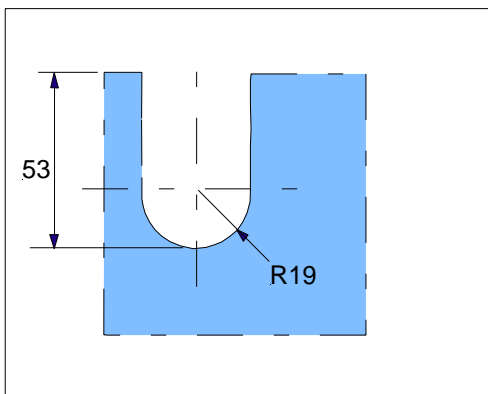
# Patch Locks

## GPT-861

Lock box to suit GPT-860 Lock bolt.

### FINISHES AVAILABLE :

- Polished stainless steel---PSS
- Satin stainless steel -----SSS
- Polished brass -----PB
- Natural anodised -----NA
- Powder-coated-----PC



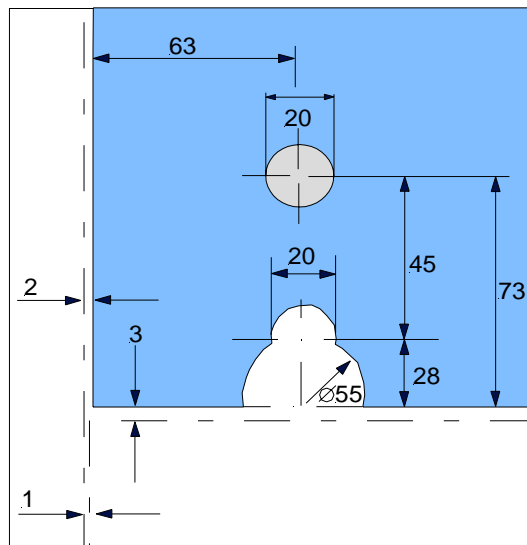
## GDP-10

### Bottom Patch :

With insert for DORMA, floor spring spindle.

### FINISHES AVAILABLE :

- Polished stainless steel---PSS
- Satin stainless steel -----SSS
- Polished brass -----PB
- Natural anodised -----NA
- Powder-coated-----PC



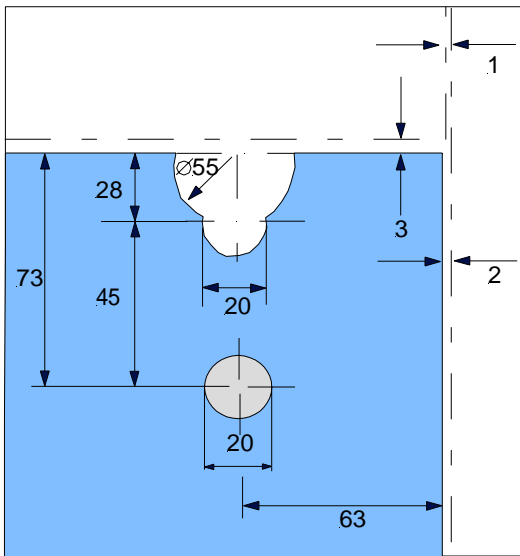
**GDP-20**

**Top Patch :**

With plastic socket for pivot 15mm.

**FINISHES AVAILABLE :**

- Polished stainless steel---PSS
- Satin stainless steel -----SSS
- Polished brass -----PB
- Natural anodised -----NA
- Powder-coated-----PC



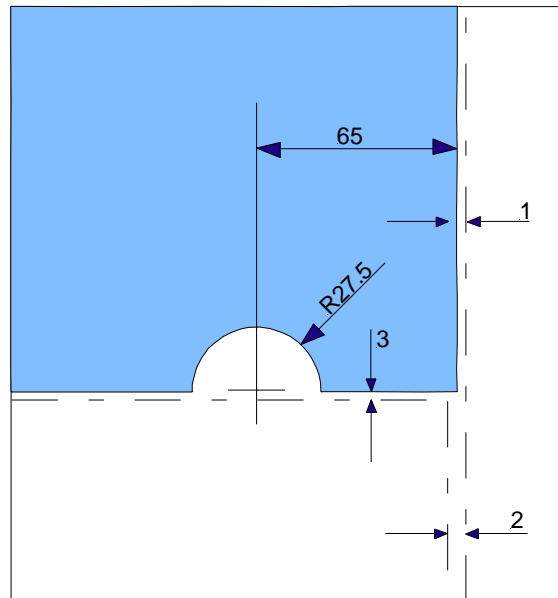
**GDP-30**

**Overpanel Patch :**

With pivot 15mm.

**FINISHES AVAILABLE :**

- Polished stainless steel---PSS
- Satin stainless steel -----SSS
- Polished brass -----PB
- Natural anodised -----NA
- Powder-coated-----PC



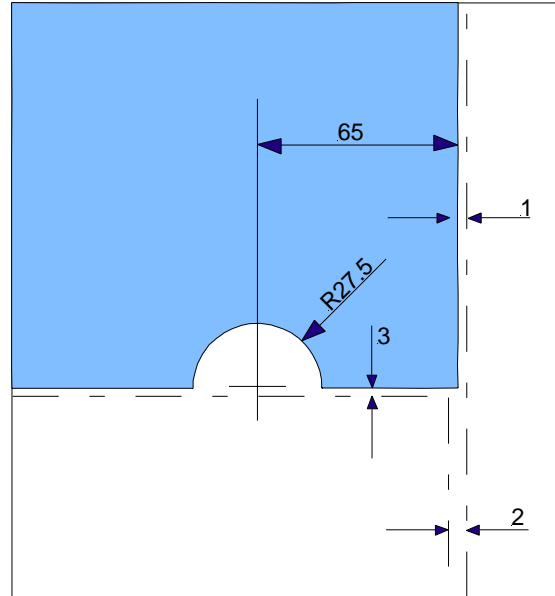


**GDP-30S**

**Overpanel Patch :**  
With stop insert.

**FINISHES AVAILABLE :**

- Polished stainless steel---PSS
- Satin stainless steel -----SSS
- Polished brass -----PB
- Natural anodised -----NA
- Powder-coated-----PC

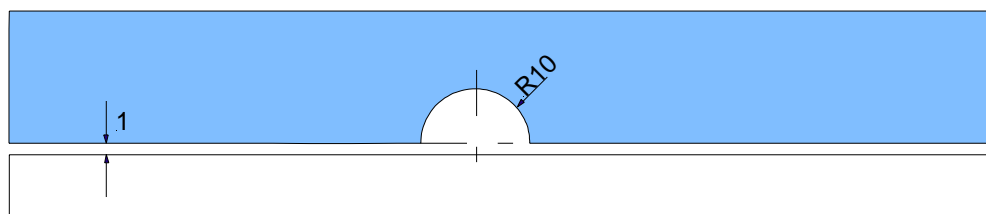


**GDP-24**

**Round Connector :**  
For overpanels and sidepanels, with simple glass preparation and large clamping surface.

**FINISHES AVAILABLE :**

- Polished stainless steel---PSS
- Satin stainless steel -----SSS
- Polished brass -----PB
- Natural anodised -----NA
- Powder-coated-----PC



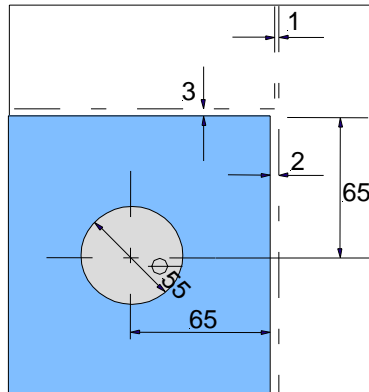
**GDP-25**

Top bottom or side lock :

- Specify : key/key or key/turn
- Actual size 113 mm x 73mm
- Bolt Projection 20 mm
- To suit 10, 12 mm glass

**FINISHES AVAILABLE :**

- Polished stainless steel---PSS
- Satin stainless steel -----SSS
- Polished brass -----PB
- Natural anodised -----NA
- Powder-coated-----PC



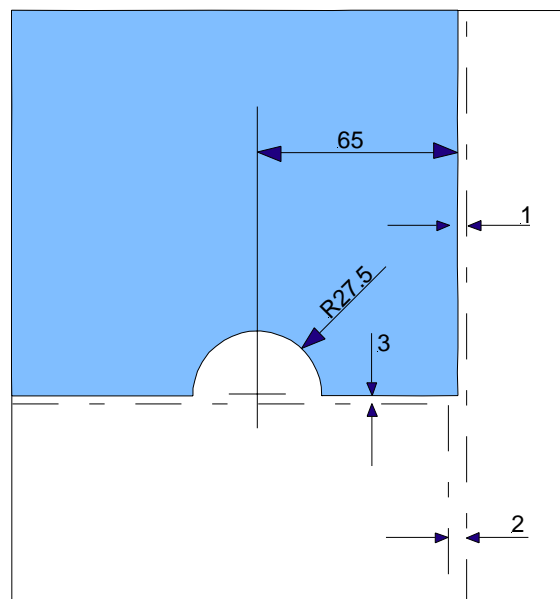
**GDP-26**

Side or top keeper to suit GDP-30 lock.

- Actual size 60 mm x 73mm
- To suit 10, 12 mm glass

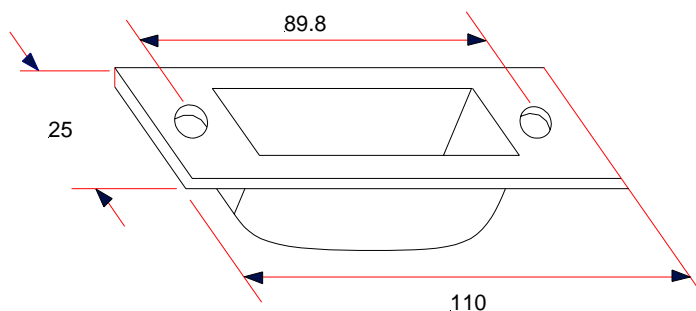
**FINISHES AVAILABLE :**

- Polished stainless steel---PSS
- Satin stainless steel -----SSS
- Polished brass -----PB
- Natural anodised -----NA
- Powder-coated-----PC



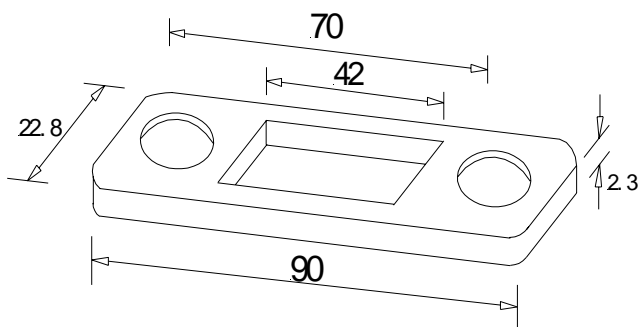
## Accessories for Patch Fitting

### GPT-01



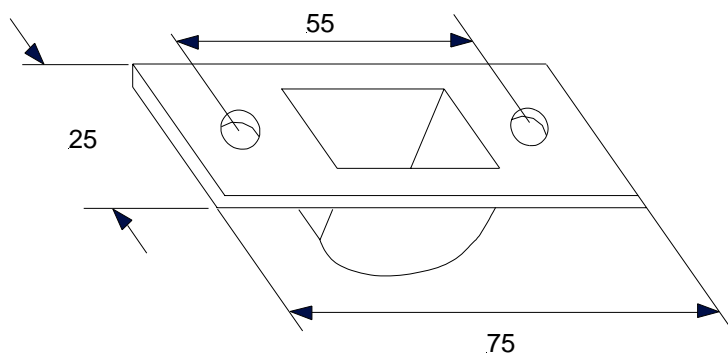
Easy Clean Socket  
Available in Bright chrome finished  
and Brass colour finished

### GPT-01-1



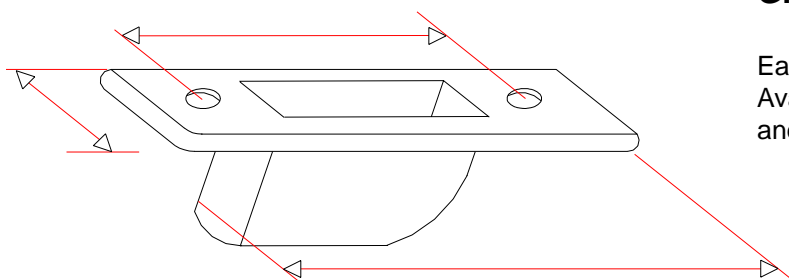
Lock keeper plate :  
For GUS-10 Conner lock.

### GPT-01-3



Easy Clean Socket  
Available in Bright chrome finished  
and Brass colour finished

### GPT-01-4

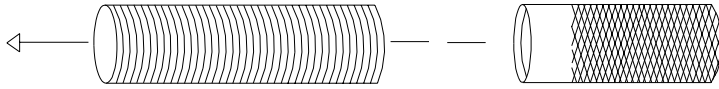


Easy Clean Socket  
Available in Bright chrome finished  
and Brass colour finished

## Accessories for Patch Fitting

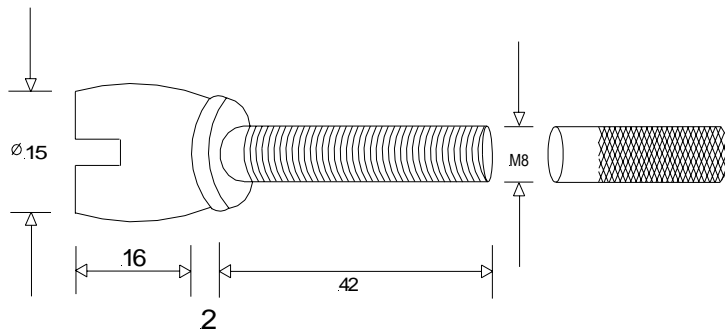
### GPT-01.134

Threaded Rod, zinc plated,  
with brass wall plug.



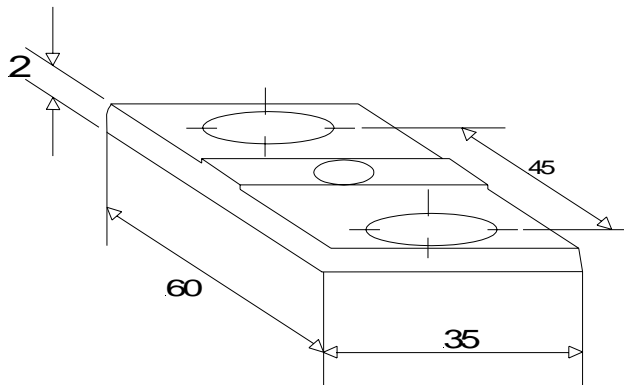
### GPT-25

Pivot with threaded rod  
including brass wall plug



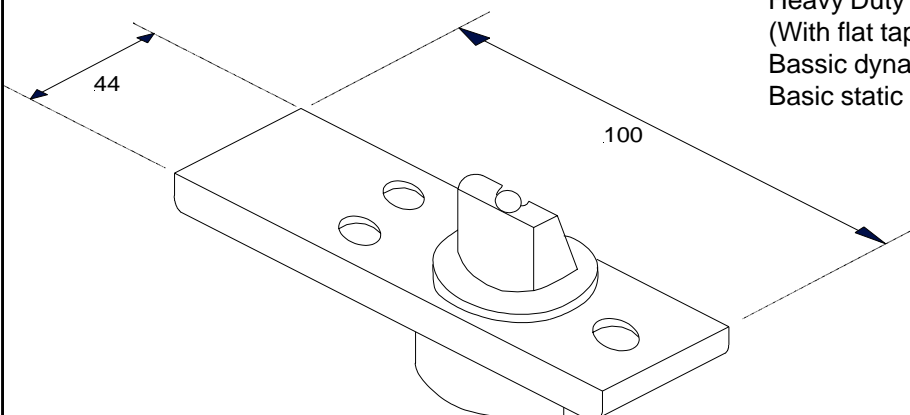
### GPT-03.128 Aluminium fixing plate.

For overpanel patch GPT-30 and  
overpanel strike box GJK-30

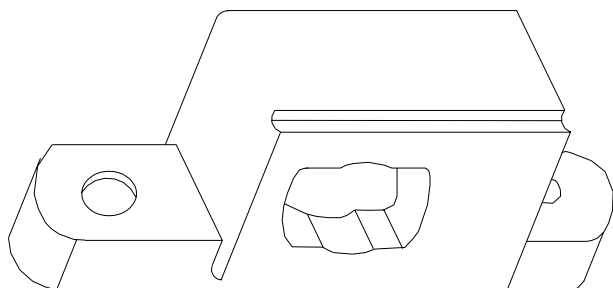


### GPT-08

Heavy Duty Floor Pivot Bearing  
(With flat tapered spindle)  
Basic dynamic load rating 355 kg f.  
Basic static load rating 600 kg f.

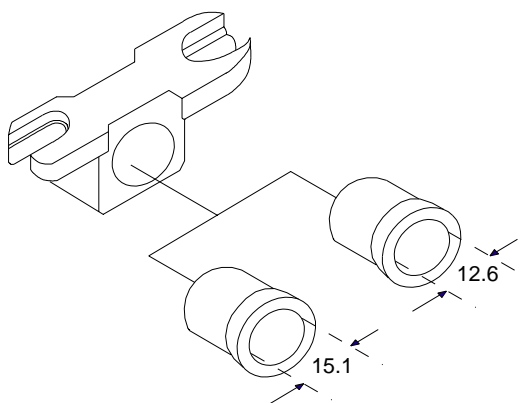


## Accessories for Patch Fitting



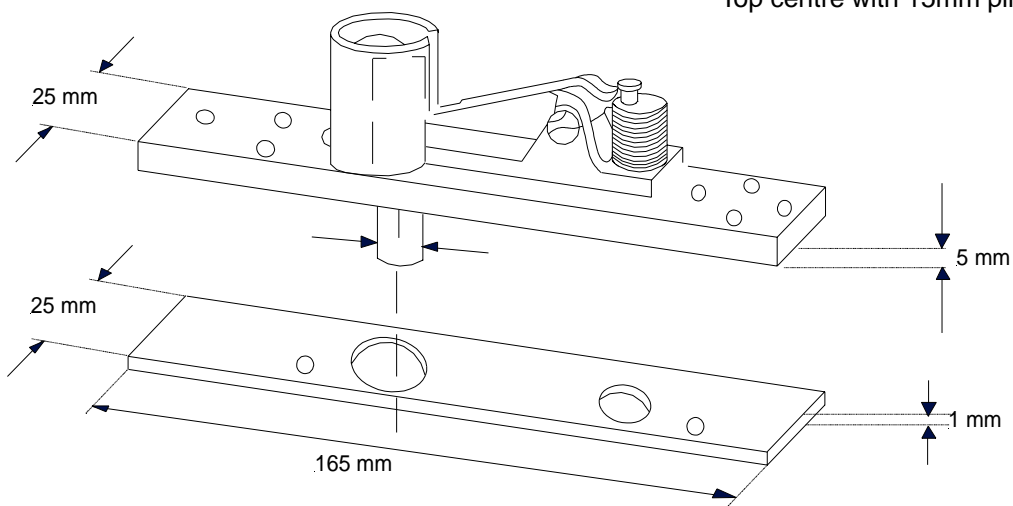
### GPT-10003-1 for DORMA

Stainless Steel bottom insert.



### GPT-20003-1

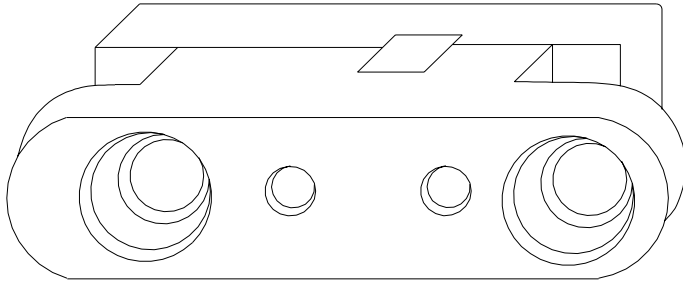
Top Insert with nylon bush (GPT-20)



### GPT-21

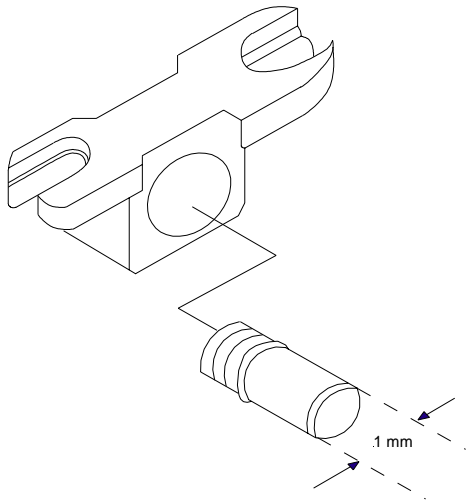
For Overpanel Fitting  
Top centre with 15mm pin

## Accessories for Patch Fitting



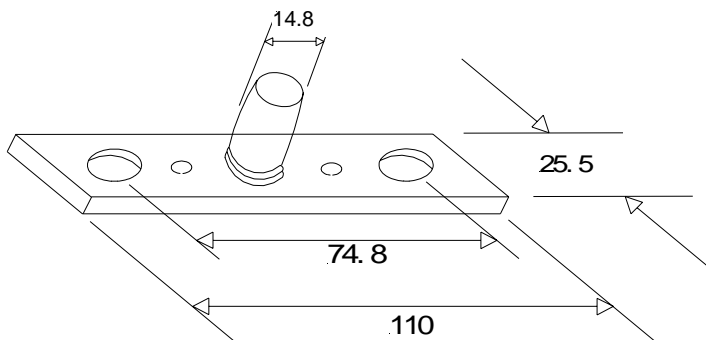
### GPT-22003

Stainless steel top insert  
(Square spindle)  
Specialize for transom closer  
(GPT-22)



### GPT-30003-1

Pivot Insert for overpanel  
fitting (GPT-30 and GPT-40)



### GPT-24

Pivot with stainless steel  
Fixing plate



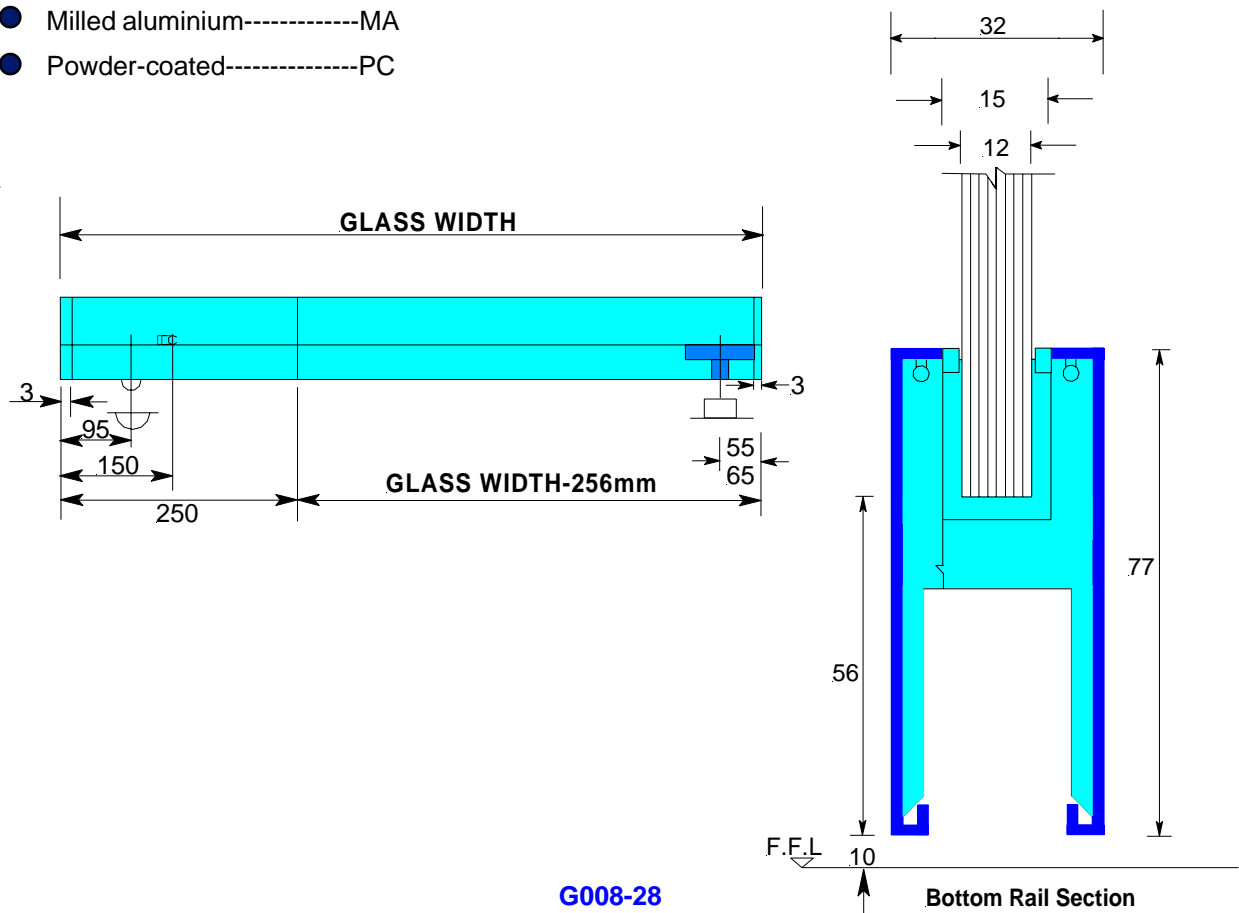


**GDL-700B**

- Pivot point at 65mm or 55mm from glass edge
- Deduct 56mm for rail, 10mm for ceiling clearance
- Specify lock: key/key or key/turn snib
- Standard height 77mm. Optional 85mm or 100mm
- Specify 10,12,15mm

**FINISHES AVAILABLE:**

- Satin stainless steel-----SSS
- Polished stainless steel----PSS
- Polished brass-----PB
- Milled aluminium-----MA
- Powder-coated-----PC





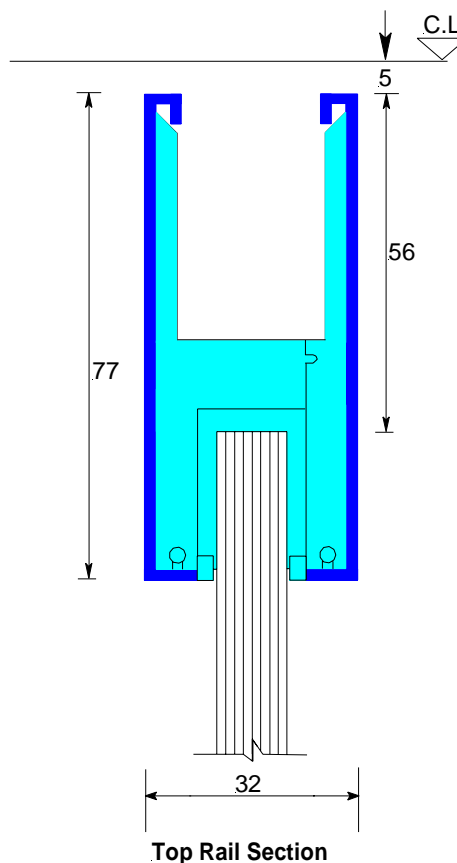
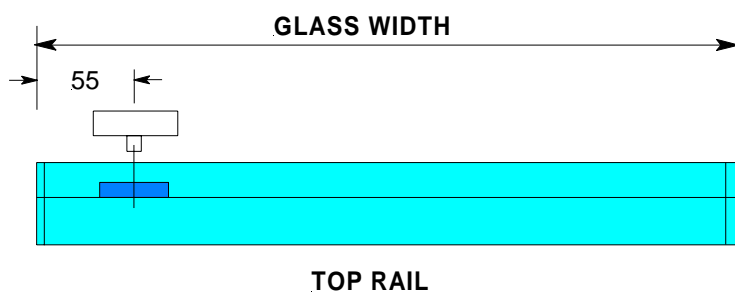
**GDL-700F**

*Top door rail suit top pivot & with floor spring installation*

- Pivot point at 65mm from glass edge
- Deduct 56mm for rail, 5mm for ceiling clearance
- Specify length of rail to suit glass width
- Standard height 77mm. Optional 85mm or 100mm
- Specify 10,12,15mm

**FINISHES AVAILABLE:**

- Satin stainless steel-----SSS
- Polished stainless steel----PSS
- Polished brass-----PB
- Milled aluminium-----MA
- Powder-coated-----PC





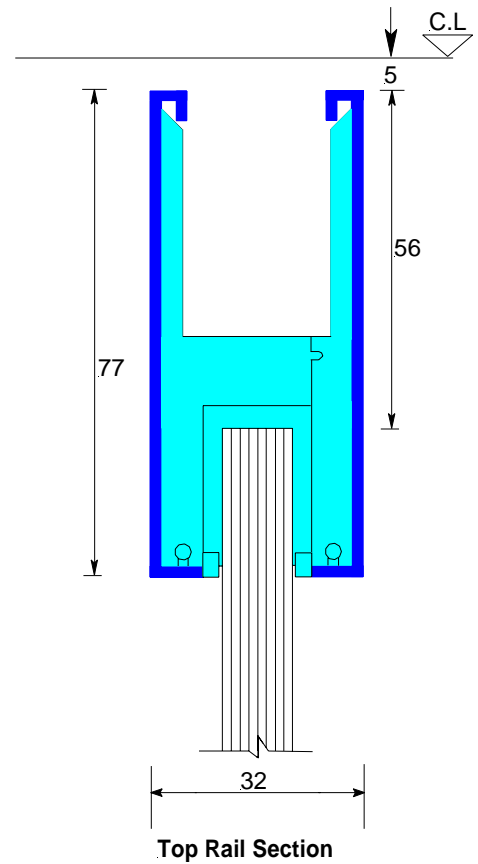
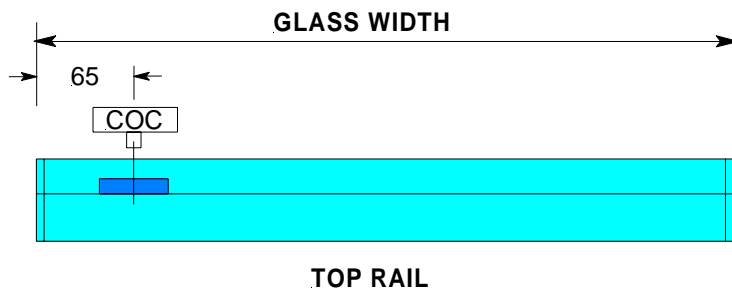
**GDL-700T**

*Top rail to suit overhead conhead concealed closer with bottom floor pivot (GPT08)*

- Pivot point at 65mm from glass edge
- Deduct 56mm for rail, 5mm for ceiling clearance
- Specify length of rail to suit glass width
- Standard height 77mm. Optional 85mm or 100mm
- Specify 10,12,15mm

**FINISHES AVAILABLE:**

- Satin stainless steel-----SSS
- Polished stainless steel----PSS
- Polished brass-----PB
- Milled aluminium-----MA
- Powder-coated-----PC



## Door Rails GDL-700FR

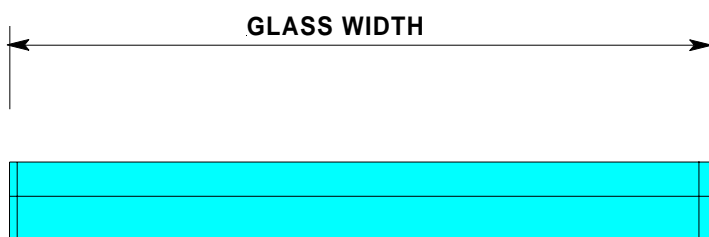
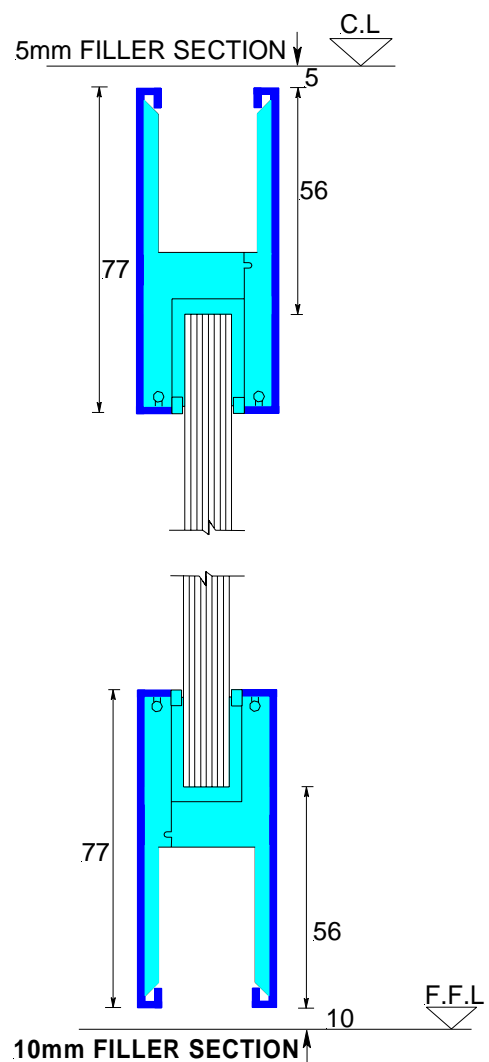
### GDL-700FR

Feature rail for top bottom with 4mm (top) and 10mm (bottom) filler section.

- Deduct 56mm for bottom rail, 10mm for bottom filler, 56mm for top rail, 5mm for top filler. Total 127mm
- Specify length of rail to suit glass width
- Standard height 77mm. Optional 85mm or 100mm
- Specify 10,12,15mm

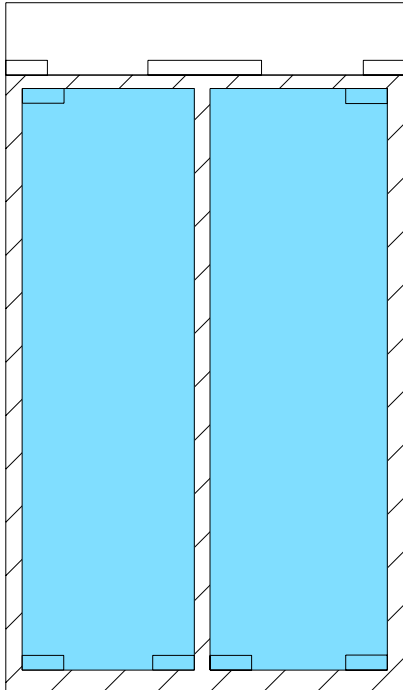
#### FINISHES AVAILABLE:

- Satin stainless steel-----SSS
- Polished stainless steel----PSS
- Polished brass-----PB
- Milled aluminium-----MA
- Powder-coated-----PC

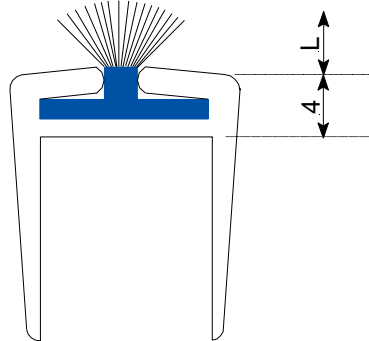


# PVC Seals

Weather / Strip



Swing Door

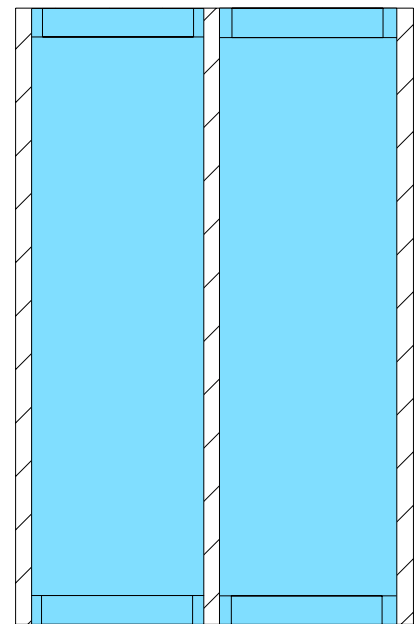
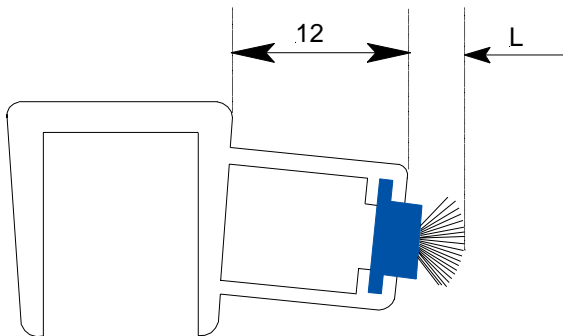


Item No	Glass Thick	Weather Strip High (L)
GDL80-2A-1006	10mm (3/8")	6mm (1/4")
GDL80-2A-1008	10mm (3/8")	8mm (5/16")
GDL80-2A-1010	10mm (3/8")	10mm (3/8")
GDL80-2A-1206	12mm (1/2")	6mm (1/4")
GDL80-2A-1208	12mm (1/2")	8mm (5/16")
GDL80-2A-1210	12mm (1/2")	10mm (3/8")

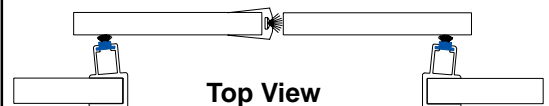


Top View

Auto Door or Sliding Door



Item No	Glass Thick	Weather Strip High (L)
GDL80-15-1010	10mm (3/8")	10mm (3/8")
GDL80-15-1013	10mm (3/8")	13mm (17/32")
GDL80-15-1020	10mm (3/8")	20mm (13/16")
GDL80-15-1210	12mm (1/2")	10mm (3/8")
GDL80-15-1213	12mm (1/2")	13mm (17/32")
GDL80-15-1220	12mm (1/2")	20mm (13/16")



Top View