

# LOCINOX

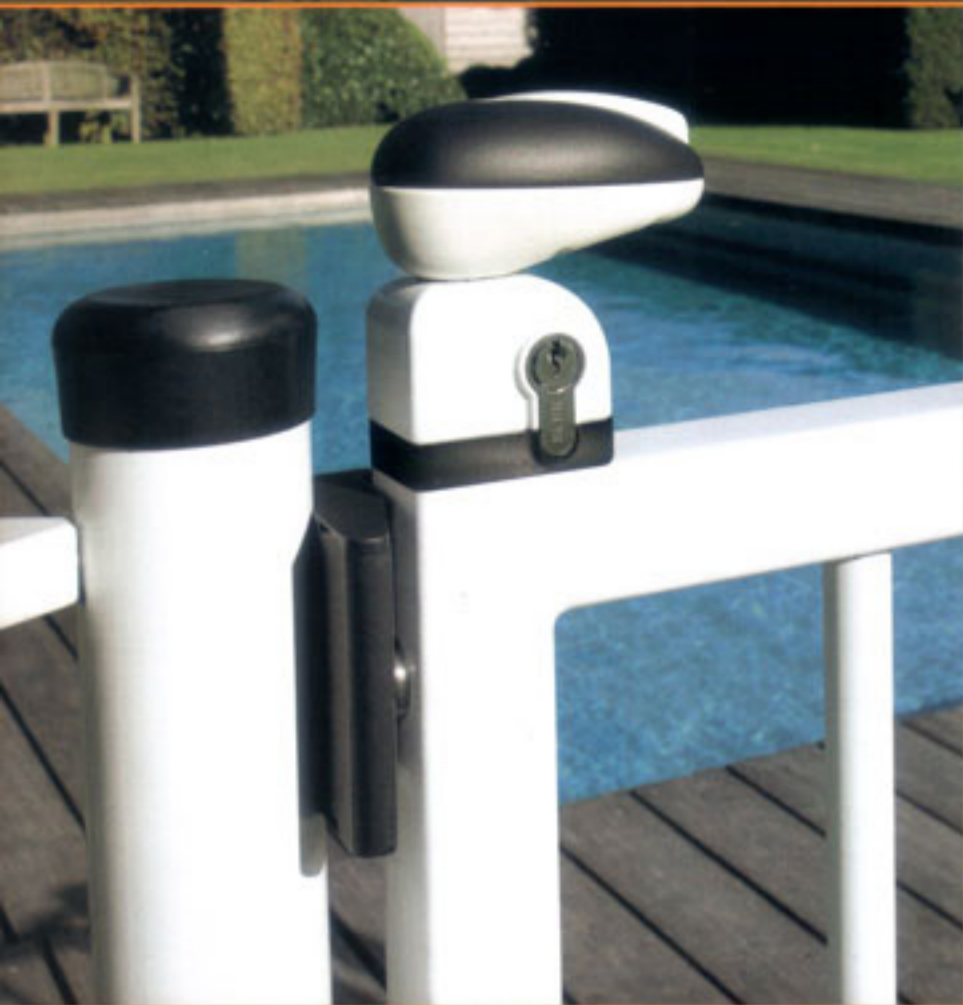


**Locks for swimming pool gates**

# Locks for swimming pool gates

**STAINLESS STEEL - (PATENTED)**

**HOMOLOGATION PENDING**



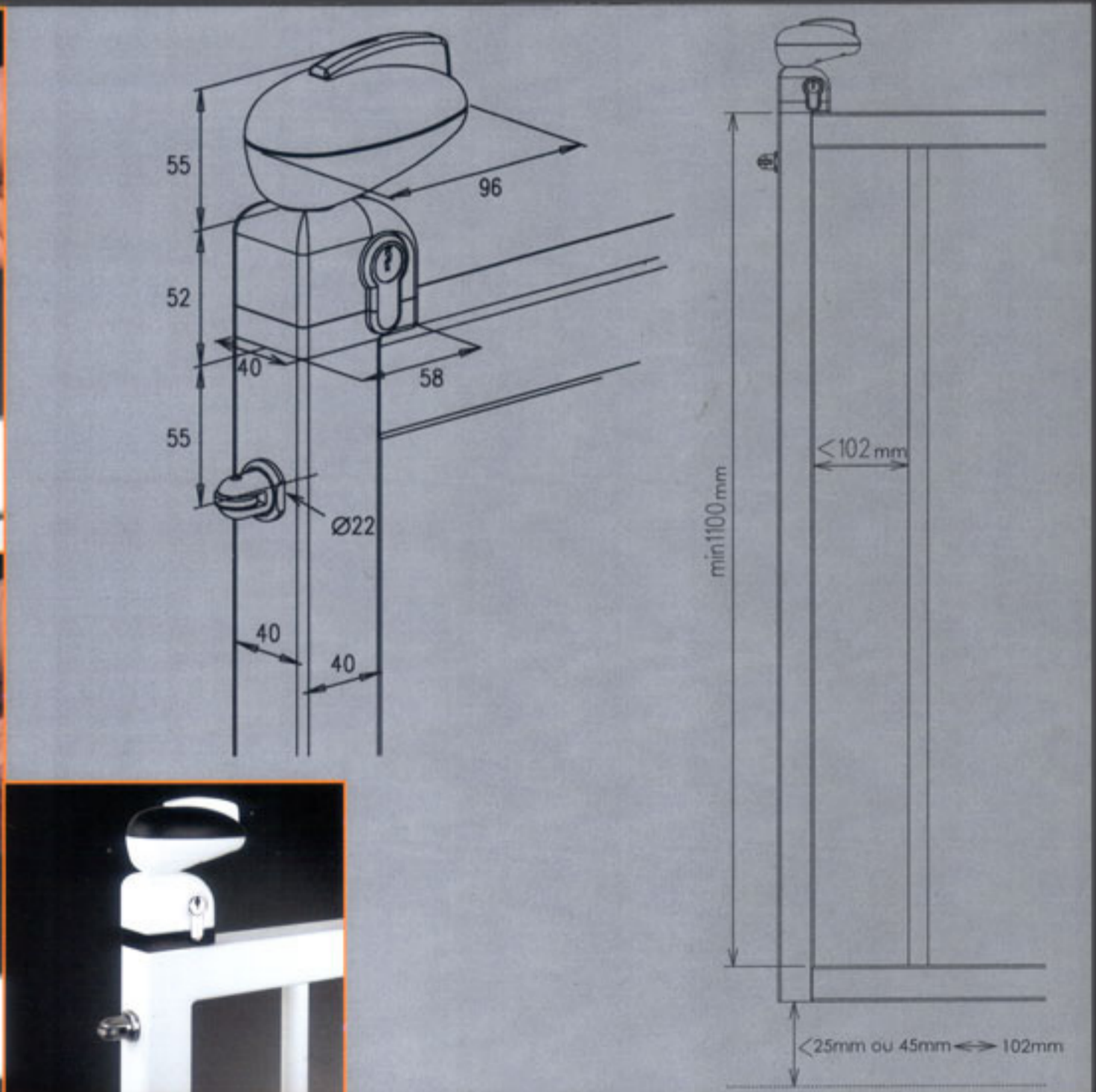
## TWIST 40 NEW

A totally new concept combining quality, esthetic, easy fitting and security for your small gates conform to the swimming pool standard NF P90-306.

**Lock:** Stainless steel (316)  
Aluminium powder coated  
Polyamide

**6004ROLI:** Rollerbolt in stainless steel facilitates closing of the gate

**Keeper:** STR60 for round profiles  
STK for square profiles  
(gate profile: 40mm)



We strictly advise you to read the swimming pool standard NF P90-306 before manufacturing any swimming pool gates.

# Locks for swimming pool gates

**STAINLESS STEEL - (PATENTED)**

**CONFORM TO THE STANDARD**



## LAKZ FOR SWIMMING POOLS

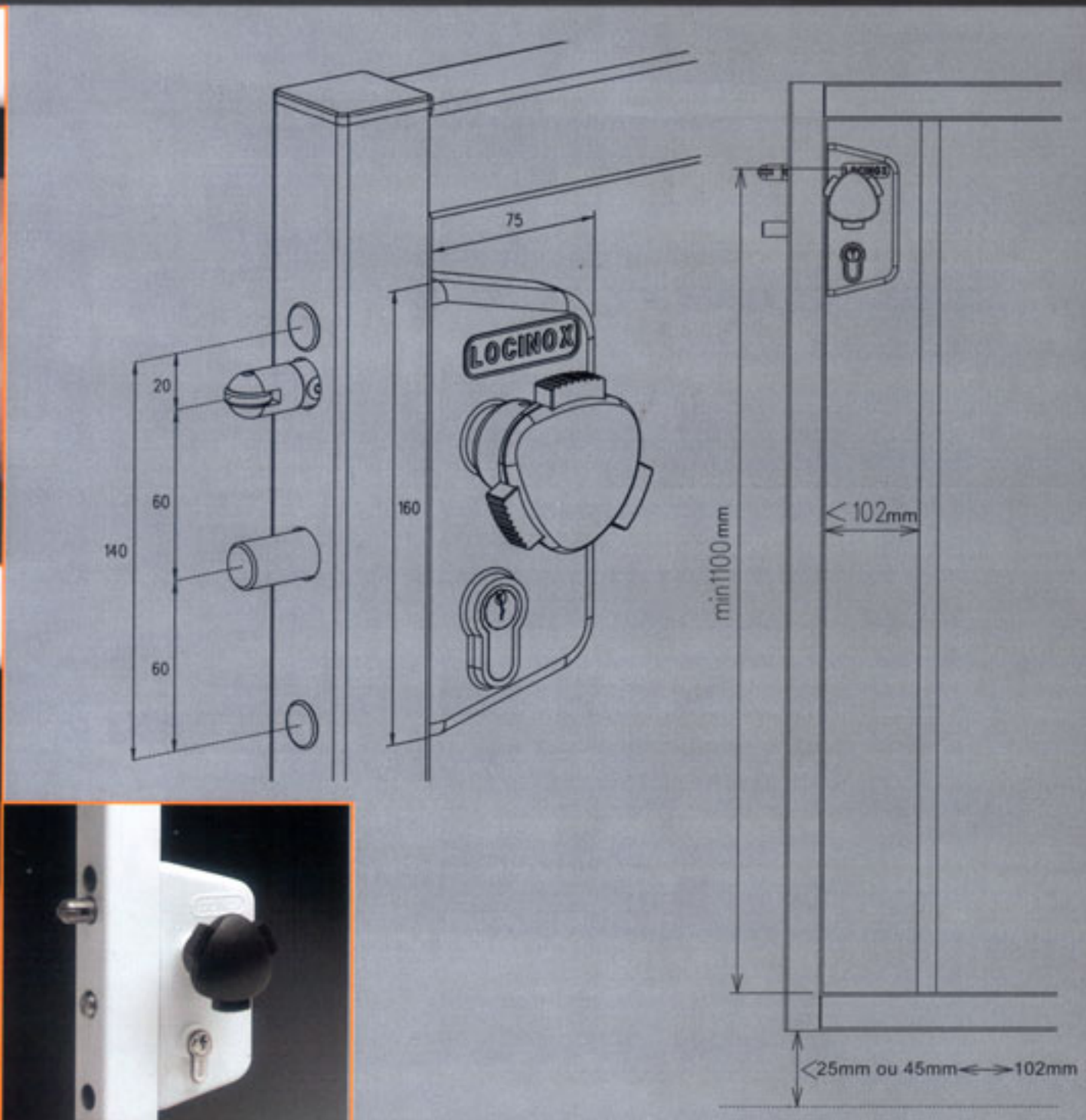
A complete package including a high quality lock in combination with a security knob an according keeper conform to the swimming pool standard NF P90-306.

**Lock:** Stainless steel (316)  
Throw of 25 mm  
Lockbox in polyamide

**6004ROLI:** Rollerbolt in stainless steel facilitates the closing of the gate

**3006WS:** Kidloc, security knob for swimming pools

**Keeper:** SWR60 for round profiles  
SWK for square profiles  
(gate profile: 40mm)



We strictly advise you to read the swimming pool standard NF P90-306 before manufacturing any swimming pool gates.

**LOCINOX**

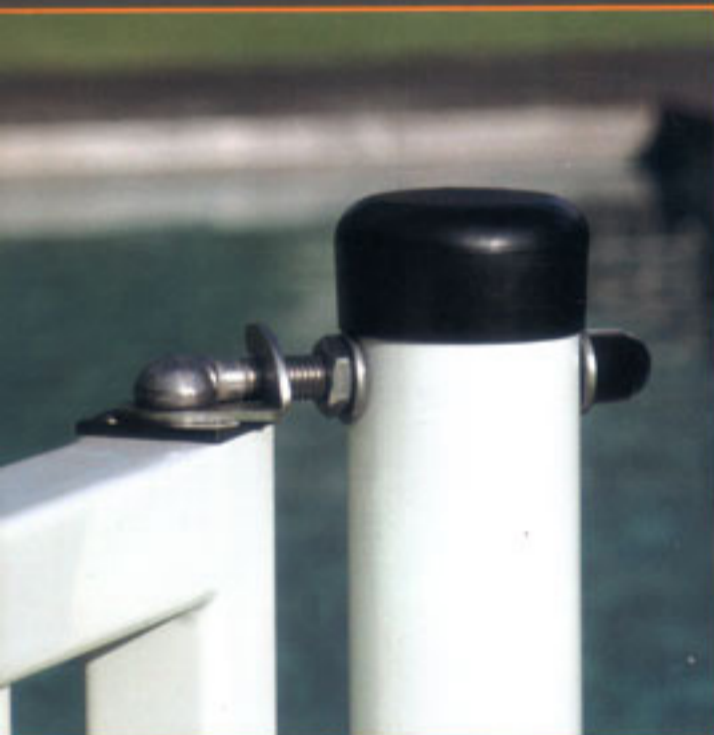
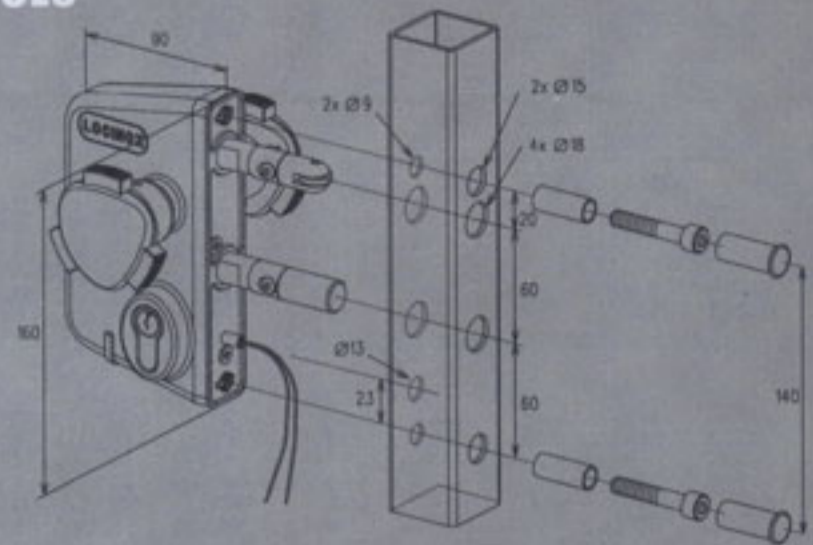
# Locks and accessories for swimming pool gates

**STAINLESS STEEL - (PATENTED)**



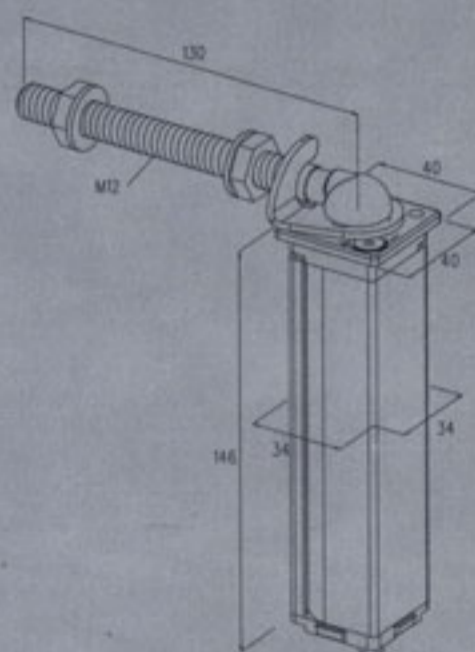
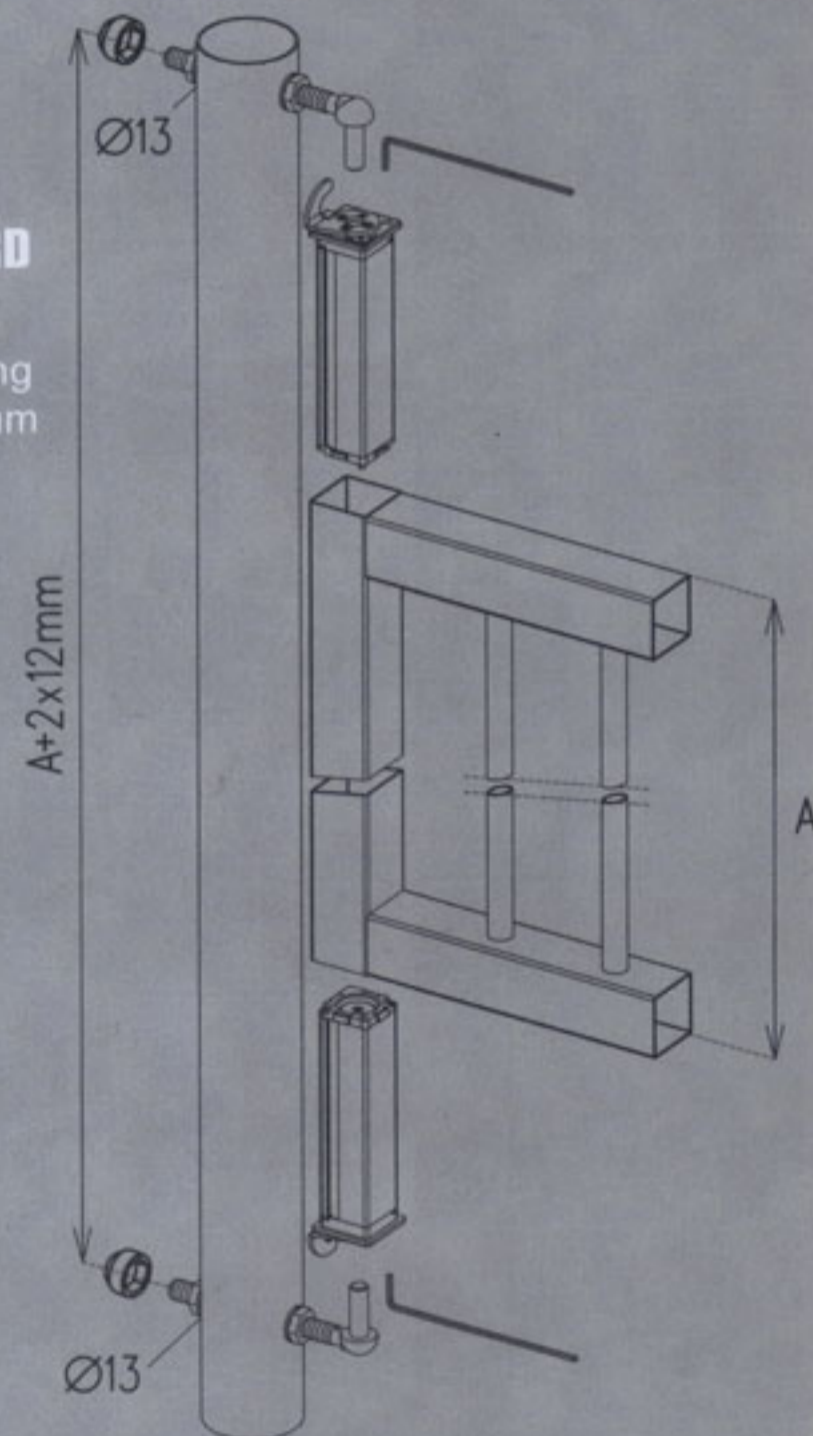
## LAKE FOR SWIMMING POOLS ELECTRICAL LOCK

Lockbox in aluminium  
Stainless steel mechanism  
Loss of power: lock will  
revert to open position  
12V continuous current  
Consumption 0,3 A  
Led-indication: on / off  
Adjustable bolts: 20 mm  
without removing the lockbox



## Swing 40 SPRINGHINGE CONFORM TO THE STANDARD

Easy fitting: no welding  
Adjustable tension of the spring  
Max. width of the gate: 1300mm  
Max. weight: 60 Kg  
Stainless steel hinge  
Aluminium casing  
Reversible: left / right



# LOCINOX